

# TEAC

# R-5

## AM/FM Portable Radio

**OWNER'S MANUAL**

**MANUEL DU PROPRIÉTAIRE**

**MANUAL DEL USUARIO**

**BEDIENUNGSANLEITUNG**

**MANUALE DI ISTRUZIONI**

**GEBRUIKSAANWIJZING**

ENG

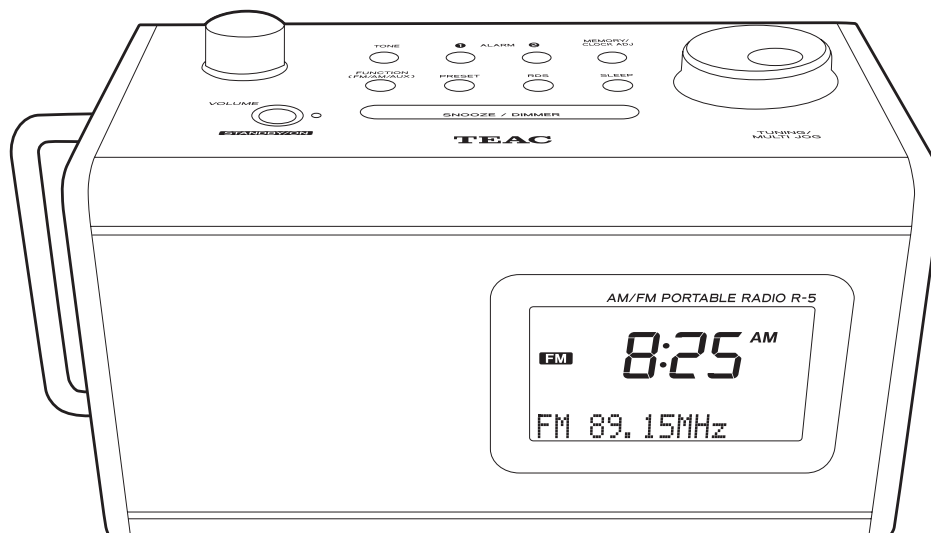
FRA

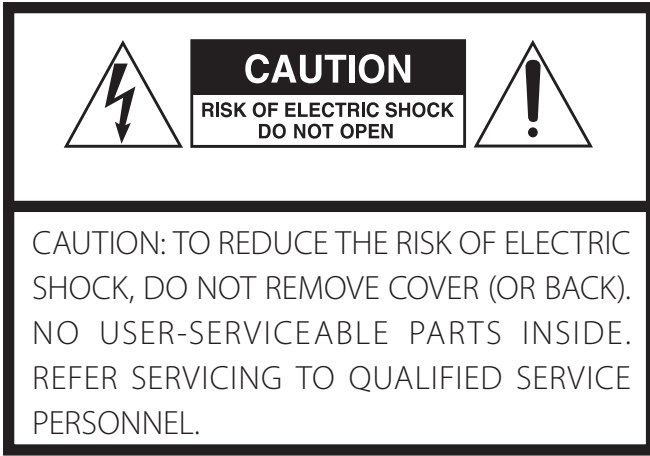
ESP

DEU

ITA

NED





The lightning flash with arrowhead symbol, within an equilateral triangle, is intended to alert the user to the presence of uninsulated “dangerous voltage” within the product’s enclosure that may be of sufficient magnitude to constitute a risk of electric shock to persons.



The exclamation point within an equilateral triangle is intended to alert the user to the presence of important operating and maintenance (servicing) instructions in the literature accompanying the appliance.

## IMPORTANT SAFETY INSTRUCTIONS

- 1) Read these instructions.
- 2) Keep these instructions.
- 3) Heed all warnings.
- 4) Follow all instructions.
- 5) Do not use this apparatus near water.
- 6) Clean only with dry cloth.
- 7) Do not block any ventilation openings. Install in accordance with the manufacturer’s instructions.
- 8) Do not install near any heat sources such as radiators, heat registers, stoves, or other apparatus (including amplifiers) that produce heat.

9) Do not defeat the safety purpose of the polarized or grounding-type plug. A polarized plug has two blades with one wider than the other. A grounding type plug has two blades and a third grounding prong. The wide blade or the third prong are provided for your safety. If the provided plug does not fit into your outlet, consult an electrician for replacement of the obsolete outlet.

10) Protect the power cord from being walked on or pinched particularly at plugs, convenience receptacles, and the point where they exit from the apparatus.

11) Only use attachments/accessories specified by the manufacturer.

12) Use only with the cart, stand, tripod, bracket, or table specified by the manufacturer, or sold with the apparatus. When a cart



is used, use caution when moving the cart/apparatus combination to avoid injury from tip-over.

13) Unplug this apparatus during lightning storms or when unused for long periods of time.

14) Refer all servicing to qualified service personnel. Servicing is required when the apparatus has been damaged in any way, such as power-supply cord or plug is damaged, liquid has been spilled or objects have fallen into the apparatus, the apparatus has been exposed to rain or moisture, does not operate normally, or has been dropped.

- Do not expose this apparatus to drips or splashes.
- Do not place any objects filled with liquids, such as vases, on the apparatus.
- Do not install this apparatus in a confined space such as a book case or similar unit.
- The apparatus draws nominal non-operating power from the AC outlet with its POWER or STANDBY/ON switch not in the ON position.

- The apparatus should be located close enough to the AC outlet so that you can easily grasp the power cord plug at any time.
- The appliance coupler is used as the disconnect device, the disconnect device shall remain readily operable.
- If the product uses batteries (including a battery pack or installed batteries), they should not be exposed to sunshine, fire or excessive heat.
- Caution should be taken when using earphones or headphones with the product because excessive sound pressure (volume) from earphones or headphones can cause hearing loss.

**WARNING: TO PREVENT FIRE OR SHOCK HAZARD, DO NOT EXPOSE THIS APPLIANCE TO RAIN OR MOISTURE.**

**CAUTION**

- DO NOT REMOVE THE EXTERNAL CASES OR CABINETS TO EXPOSE THE ELECTRONICS. NO USER SERVICEABLE PARTS ARE WITHIN.
- IF YOU ARE EXPERIENCING PROBLEMS WITH THIS PRODUCT, CONTACT TEAC FOR A SERVICE REFERRAL. DO NOT USE THE PRODUCT UNTIL IT HAS BEEN REPAIRED.

# Contents

**Thank you for choosing TEAC. Read this manual carefully to get the best performance from this unit.**

- Before Use.....4
- Rechargeable Batteries.....4
- Connections.....6
- Unit Functions.....8
  
- Setting the Clock .....10
  
- Listening to the Radio. ....11
- Preset Tuning .....12
- RDS .....13
  
- Listening to an External Source.....14
- Tone Control.....15
- Headphones.....15
  
- Timer.....16
- Sleep Timer.....19
- Dimmer .....20
  
- Troubleshooting .....20
- Specifications.....21

## Before Use

- As the unit may become warm during operation, always leave sufficient space around the unit for ventilation.
- The voltage supplied to the unit should match the voltage as printed on the label of the AC adaptor. If you are in any doubt regarding this matter, consult an electrician.
- Choose the installation location of your unit carefully. Avoid placing it in direct sunlight or close to a source of heat. Also avoid locations subject to vibrations and excessive dust, heat, cold or moisture.
- Do not place the unit on an amplifier/receiver.
- Do not open the cabinet as this might result in damage to the circuitry or electrical shock. If a foreign object should get into the unit, contact your dealer or service company.
- When removing the power plug from the wall outlet, always pull directly on the plug, never yank the cord.
- Keep this manual in a safe place for future reference.

## Maintenance

If the surface of the unit gets dirty, wipe with a soft cloth or use a diluted mild liquid soap. Be sure to remove any excess liquid completely. Do not use thinner, benzine or alcohol as they may damage the surface of the unit. Allow the surface of the unit to dry completely before using.

## Rechargeable Batteries

The R-5 uses a Nickel-Metal-Hydride battery pack stored in the battery compartment. Leaving the AC adaptor connected to the R-5 and plugged into an AC line, ensures the batteries will be fully charged when you need to use the R-5 on battery power. The R-5 can be used for 5 hours after batteries are fully charged. (When the volume is set to 20.)

- When the R-5 is not being used but the AC adaptor is plugged in, the batteries will be completely charged within approximately 3.5 hours from a full discharge.
- When the R-5 is ON and the AC adaptor plugged in, the batteries will be completely charged within approximately 24 hours.
- It may take up to 4 charge and discharge cycles before the batteries are operating at full capacity when the R-5 is new or left unused for several weeks.

It is suggested that the R-5 be plugged in for about 12 hours before you use it for the first time.

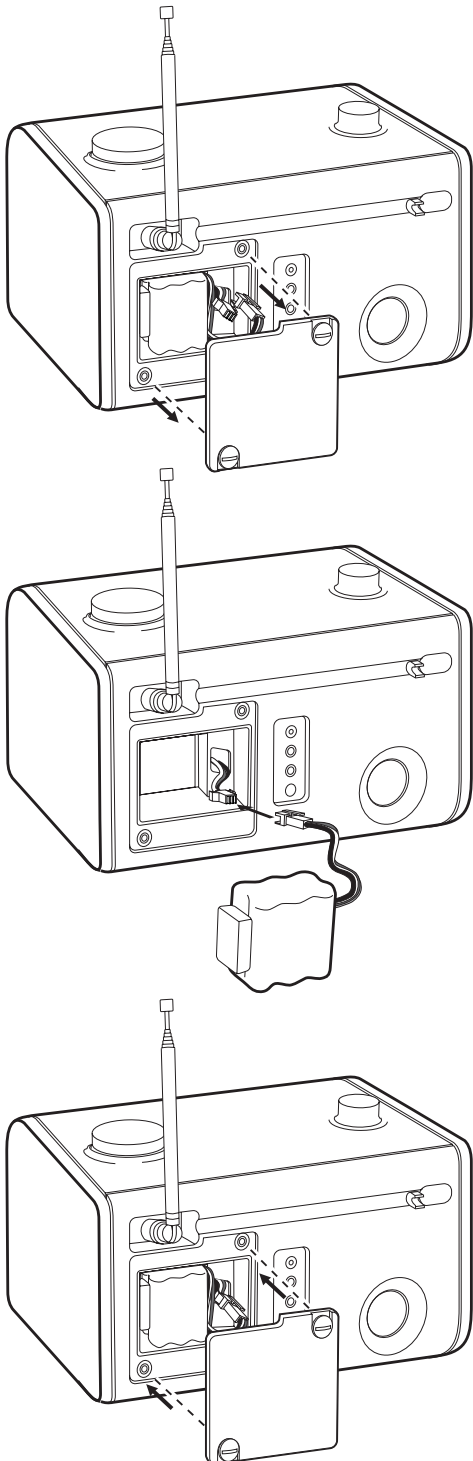
- Once the R-5 has been fully charged while it is STANDBY, do not unplug the AC adaptor and then immediately plug it again. This will restart the charging cycle even though the batteries are fully charged. Doing this repeatedly will damage the batteries.
- If the R-5 is not plugged in, the batteries will slowly discharge as a safety measure.
- The cycles of recharging the Nickel-Metal-Hydride battery pack diminish the battery's capacity. It is called "Memory effect". To prevent this, sometimes the battery must be fully discharged before you recharge it. To discharge the battery, unplug the AC adaptor and leave the R-5 ON until it will shut off automatically. If you feel the battery capacity was reduced, leave the battery unused for several weeks.

## Connecting the battery

The battery pack's connector is not connected to prevent discharge when you purchase the unit.

Connect the battery pack before you use.

1. Remove the battery compartment cover.
2. Connect the battery pack.
3. Close the cover.



## Battery Replacement

When the batteries are exhausted, replace the battery pack with a new one.

1. Remove the battery compartment cover.
2. Disconnect the battery pack connector, and remove it.
3. Insert a new battery pack and attach its connector.
4. Close the cover.

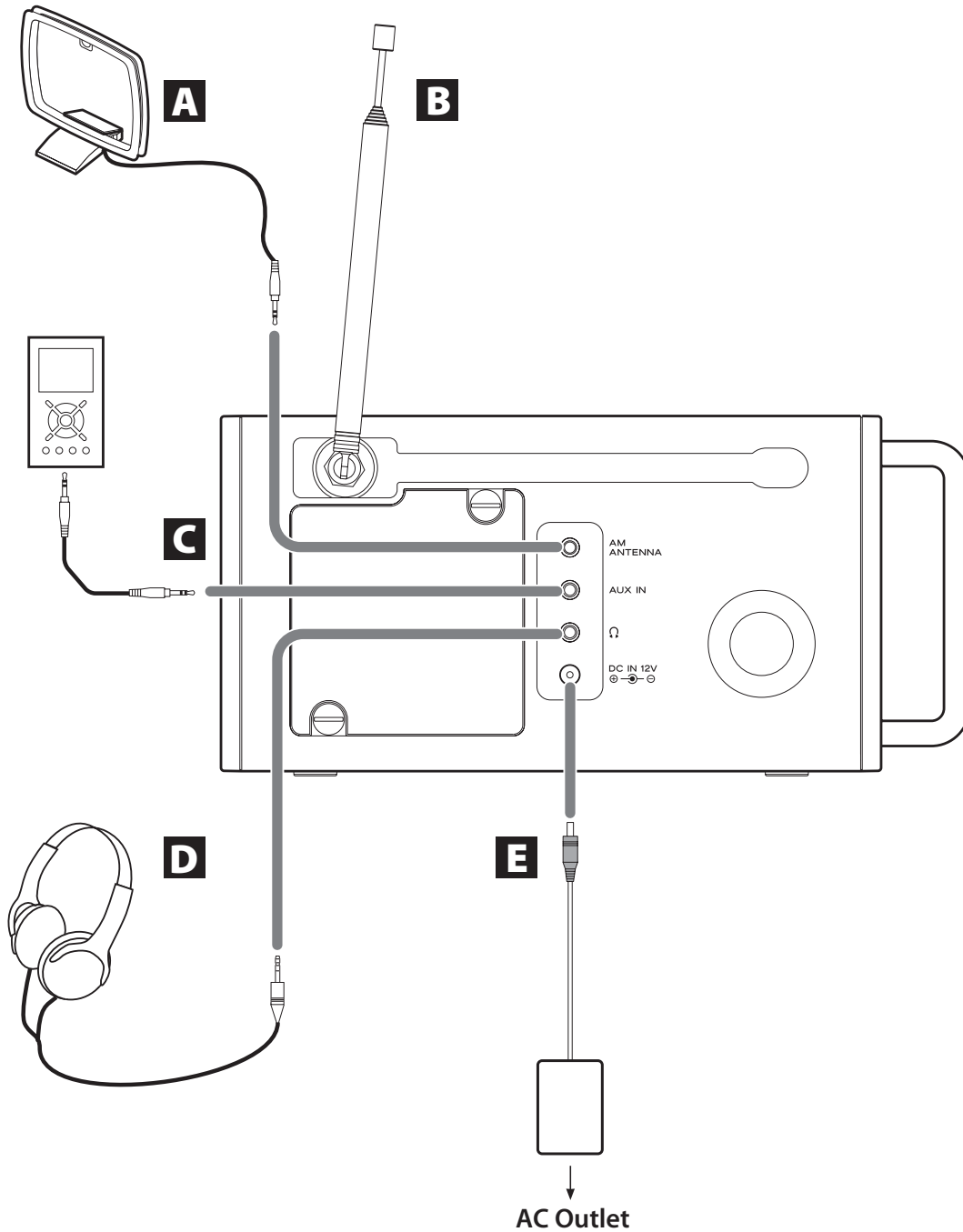
### **Caution:**

- Do not heat or disassemble rechargeable batteries. Never dispose of old batteries by throwing them in a fire.

# Connections

## CAUTION:

- Switch off the power before making any connections.
- Read the instructions of each component you intend to use with this unit.
- Be sure to insert each plug securely. To prevent hum and noise, do not bundle the connection cords.

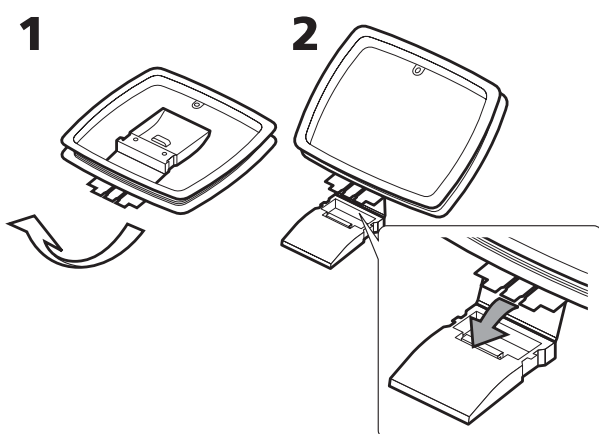


## A AM Indoor Loop Antenna

The unit has an internal AM antenna. However, when you use the unit indoors, stand the indoor loop antenna.

### To stand the indoor antenna

Fix the claw to the slot in the antenna base to stand the loop antenna on a surface.



Connect it to the AM antenna terminal. Place the antenna on a shelf or hang it on a window frame, etc. in the direction which gives the best reception.

## B FM Telescopic Antenna

Stretch the telescopic antenna to its fullest length and rotate it to the direction that gives the best reception.

## C AUX IN jack

You can connect a portable audio player to this jack.

Connect the LINE OUT or PHONES jack (audio output jack) of the player using the supplied stereo mini plug cable.

When using the PHONES jack of your mini player, you must adjust the volume of the mini-player or you may hear no sound from your R-5.

- Turning the volume of the mini player up too high may cause the sound from your R-5 to be distorted. If this is the case, reduce the volume of the mini player until the distortion stops and then adjust the volume level of the R-5 to a comfortable listening level.

## D PHONES

For private listening, insert your headphones' plug into this jack, and adjust the volume using the VOLUME knob.

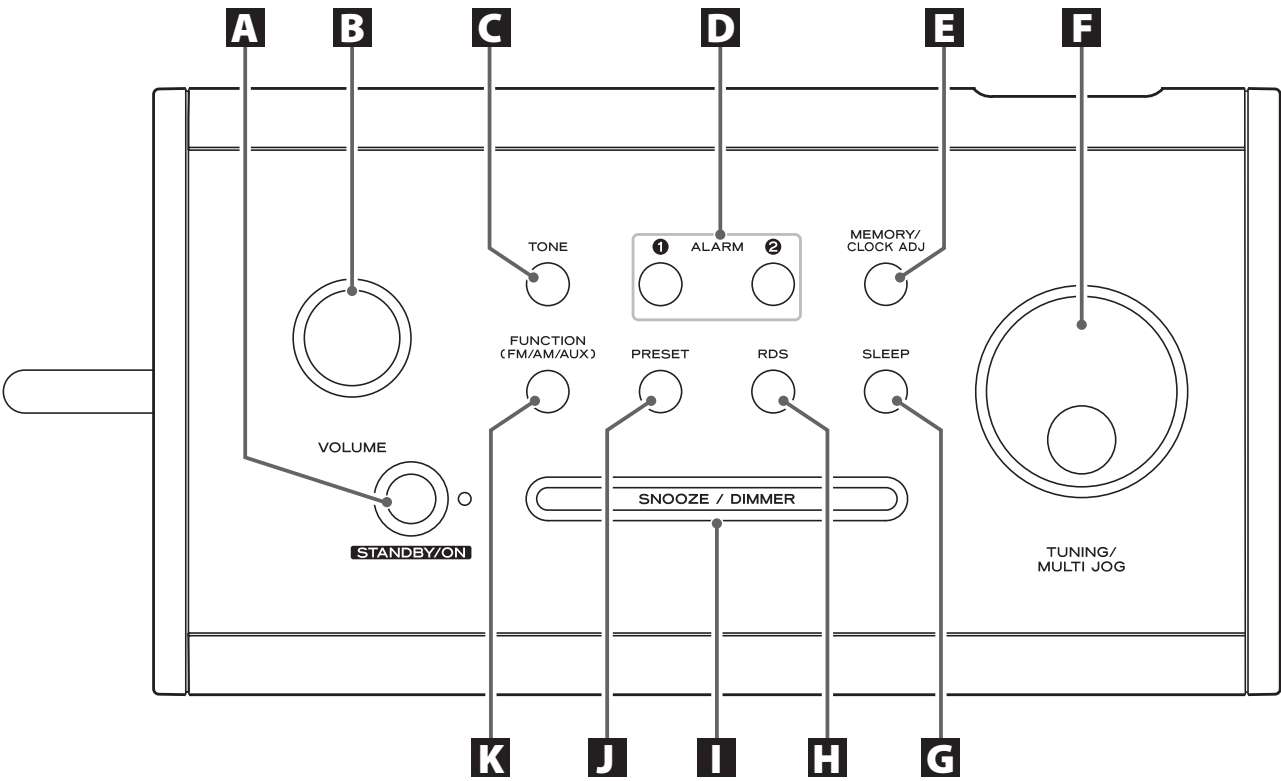
- You can listen to in stereo using headphones when you are receiving an FM stereo broadcast.

## E DC IN

Connect the provided AC adaptor to this jack. Then connect the AC adaptor's plug to the AC wall socket.

- ⚠ Do not use any AC adaptors other than the one included with this unit to avoid fire, electric shock, etc. Be sure to connect the adaptor to an AC outlet that supplies the correct voltage.

# Unit Functions





**A STANDBY/ON**

Use this button to turn the unit on or put it in standby.

The indicator lights when the unit is in standby and the AC adaptor is connected. When you use the unit on battery power, the indicator does not light to save the battery life.

**B VOLUME**

Turn this knob to adjust the volume level.

**C TONE**

Use this button together with the MULTI JOG knob to adjust the bass and treble.

**D ALARM 1/2**

Use these buttons to set timers.

**E MEMORY/CLOCK ADJ**

Use this button to store preset channels into memory and set the clock.

To set the clock, hold down this button for more than 2 seconds to enter the clock setting mode. Then adjust the clock using the MULTI JOG knob.

**F TUNING/MULTI JOG**

In AM or FM mode, turn this knob to tune in to a station.

This knob is also used to adjust the time, change timer settings, etc.

**G SLEEP**

Use this button to set the sleep timer.

**H RDS**

Use this button to select an RDS mode while listening to FM broadcast.

**I SNOOZE/DIMMER**

Use this button to put the unit in standby mode temporary and dim the display.

When the timer turns on the unit, press this button to put the unit in standby mode for 5 minutes.

This button is also used to change the brightness of the display.

**J PRESET**

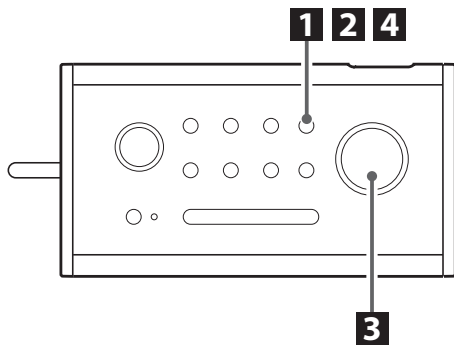
Use this button to select a preset channel.

**K FUNCTION (FM/AM/AUX)**

Use this button to select FM, AM or AUX.

When a component is connected to the AUX IN jack, select AUX to listen to the external source.

# Setting the Clock



**1** Press and hold the **MEMORY/CLOCK ADJ** button for more than 2 seconds.

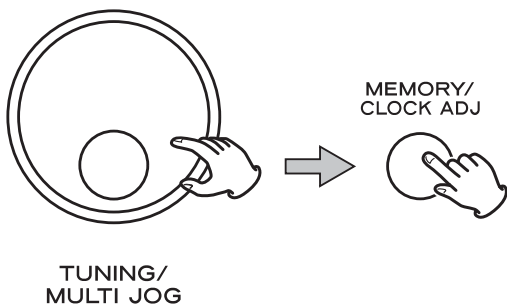
MEMORY/  
CLOCK ADJ



“Time Mode <24 Hours>” appears.

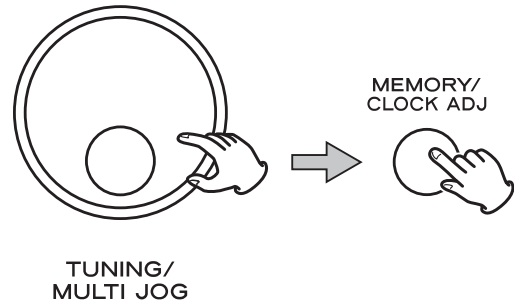
- If no button is pressed for 10 seconds, the clock setting mode will be cancelled.

**2** If you want to change the hour mode, turn the **MULTI JOG** knob to select 24 or 12 hour mode and then press the **MEMORY/CLOCK ADJ** button.



The default setting is 24-hour.

**3** Turn the **MULTI JOG** knob to adjust the time and then press the **MEMORY/CLOCK ADJ** button.



The clock starts from 00 second.

**4** Repeat step **3** to set the year, month and day.

- If the unit is disconnected from the power supply and the batteries have been completely discharged for about an hour, clock and timer settings will be lost.

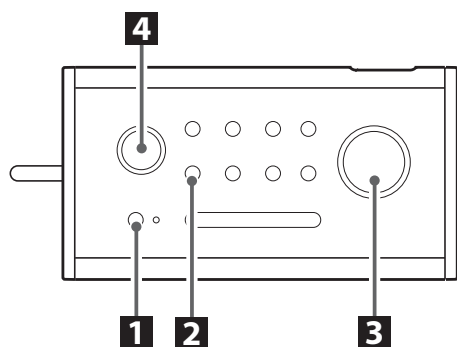
## To set the daylight saving time

Press and hold the **MEMORY/CLOCK ADJ** and **SLEEP** buttons together to set the daylight saving time.

The clock will advance an hour.

To set the clock an hour back, press and hold the **MEMORY/CLOCK ADJ** and **SLEEP** buttons together again.

# Listening to the Radio



- 1 Press the STANDBY/ON button to turn the unit on.**



The standby indicator lights off.

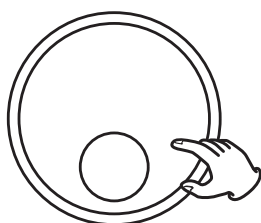
- The unit turns on with the source that was last selected.

- 2 Select FM or AM using the FUNCTION button.**

FUNCTION  
(FM/AM/AUX)



- 3 Turn the TUNING knob to tune into a station.**



TUNING/  
MULTI JOG

## Manual tune

Turn the MULTI JOG knob until the station you want to listen to is found.  
The frequency changes by a fixed step.

## Auto tune

Press down the MULTI JOG knob to start auto tuning.

When a station is found, the unit tunes in to the station automatically.

Repeat this step until the station you want to listen to is found.

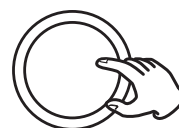
## Preset tune

Press the PRESET button repeatedly to select a preset channel.

The selected preset channel is tuned in.

- For how to preset stations, see page 12.

- 4 Turn the VOLUME knob to adjust the volume.**



VOLUME

The level can be adjusted from 00 to 30.

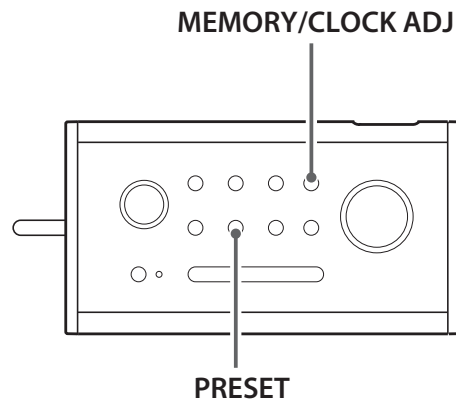
## If the AM reception is poor

For the best reception, change the direction of the unit or the antenna connected to this unit until you receive stations clearly.

## If the FM reception is poor

For the best reception, rotate the extendable antenna until you receive stations clearly.

# Preset Tuning



You can store up to 10 FM and 10 AM stations into memory.

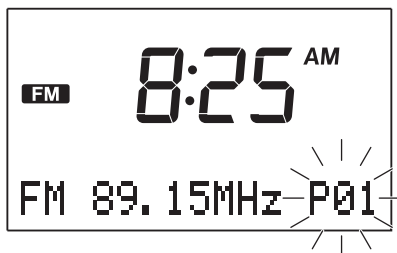
**1** Tune in a station you want to listen to (see steps **2** and **3** on page 11).

**2** Press the MEMORY/CLOCK ADJ button.

MEMORY/  
CLOCK ADJ



The PRESET indicator and a channel number blink in the display.



**3** Within 5 seconds, select a preset location to store the station into by pressing the PRESET button repeatedly.

PRESET



**4** Within 5 seconds, press the MEMORY/CLOCK ADJ button.

MEMORY/  
CLOCK ADJ



The station is stored in memory.

Repeat steps **1** to **4** to store other stations.

## How to select preset stations

Press the PRESET button repeatedly until the desired preset station is found.

PRESET



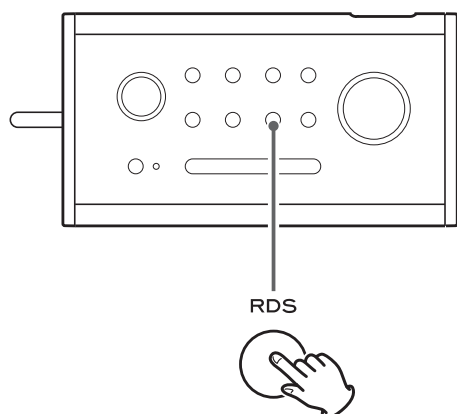
# RDS

The Radio Data System (RDS) is a broadcasting service which allows stations to send additional information along with the regular radio programme signal.

**RDS works on the FM waveband in Europe only.**

**1 Tune in to an FM station (see page 11).**

**2 Press the RDS button.**



Each time the RDS button is pressed, the RDS mode is changed as follows:

## RDS Program type (PTY)

When you select PTY, the programme type will be displayed.

If there is no PTY data, "NO PTY" will be displayed.

## RDS Radio text (RT)

When you select RT, up to 64 characters of information transmitted by the station will be displayed.

If there is no RT data, "NO TEXT" will be displayed.

## RDS Clock time (CT)

Displays the time information provided from the station.

When you select RDS Clock time, the clock time provided from the station will be displayed.

## RDS off (Normal display)

The clock setting will be automatically adjusted according to the CT data.

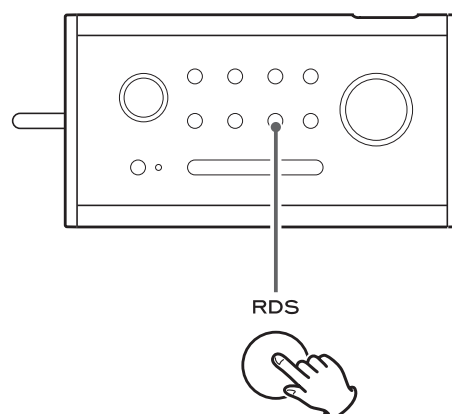
If you tune in an RDS station broadcasting incorrect CT data, the clock might be wrongly adjusted, and that may eventually affect the timer operation.

When you do not want the clock of this unit to be set according to the CT data, turn off the auto clock adjustment.

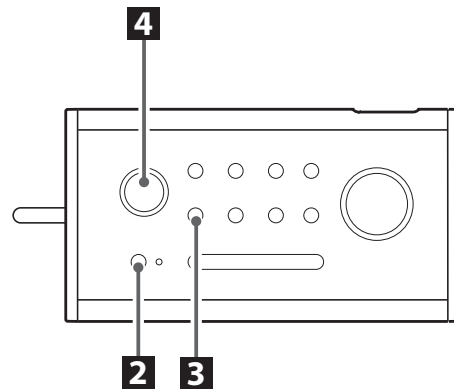
- No matter which RDS mode is selected, the unit receives CT data and adjusts the clock.

**To turn on or off the auto clock adjustment, hold down the RDS button for more than 2 seconds.**

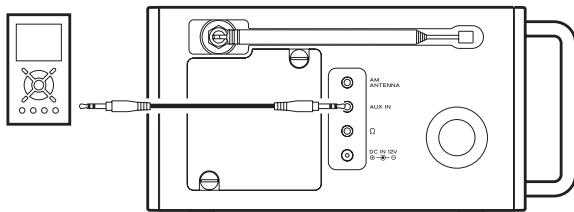
"CT ON" or "CT OFF" briefly appears.



# Listening to an External Source



**1** Connect the PHONES jack (audio output jack) of a portable audio player to the AUX IN jack of the R-5 using the supplied stereo mini plug cable.



**2** Press the STANDBY/ON switch to turn the unit on.

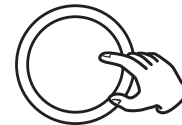


**3** Press the FUNCTION button repeatedly to select AUX.

FUNCTION  
(FM/AM/AUX)



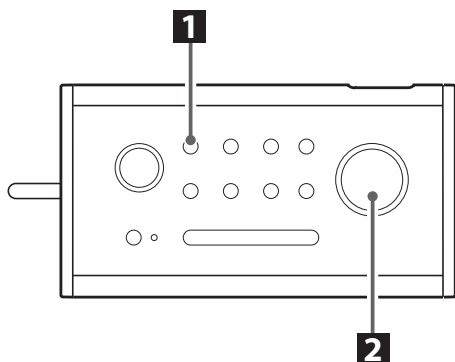
**4** Play the source, and adjust the volume using the VOLUME knob of the R-5 and the audio player.



VOLUME

When using the PHONES jack of your mini player, you must adjust the volume of the mini-player or you may hear no sound from your R-5.

## Tone Control



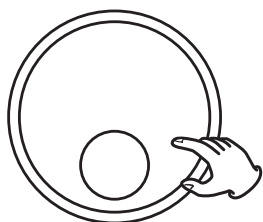
- 1 Press the TONE button repeatedly to select an item to adjust.**



To adjust the level of bass sound, select "Set bass".

To adjust the level of treble sound, select "Set treble".

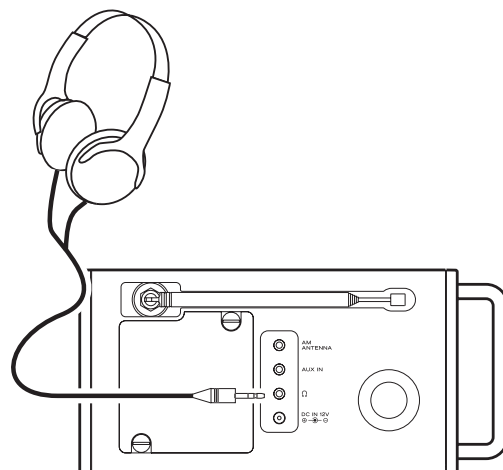
- 2 Turn the MULTI JOG knob to change the setting.**



TUNING/  
MULTI JOG

The level can be adjusted from -4 to +4.

## Headphones



Insert the headphones plug into the phones jack (Ω), and adjust the volume.

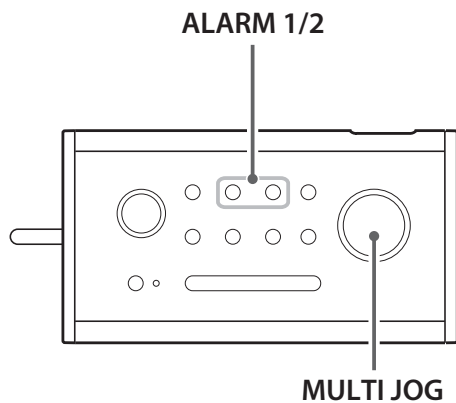
When a stereo FM broadcast is received, you can listen to stereo sound by connecting your stereo headphones to the phones jack.

Also you can listen to stereo sound from an external source that is connected to the AUX IN jack.

### CAUTION

Always lower the volume level prior to plugging in your headphones. TO AVOID DAMAGING YOUR HEARING - Do not place your headphones on your head until after you have plugged them in.

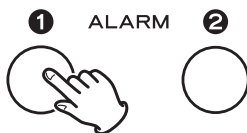
# Timer (1)



- The unit can be programmed to turn on at a specified time. The unit will turn off 60 minutes after the specified turn on time.
- The unit can store 2 timer settings into memory.
- Adjust the clock before setting the timer.

The procedures below are to set ALARM 1. Follow the similar steps to set ALARM 2.

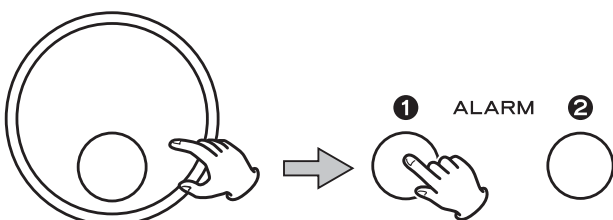
- 1 Press and hold the ALARM 1 button for more than 2 seconds.**



"Set alarm <Off>" appears on the display.

- If no button is pressed for 10 seconds, the timer setting mode will be cancelled.

- 2 Turn the MULTI JOG knob to select <ON>, and then press the ALARM 1 button.**



TUNING/  
MULTI JOG

- 3 Turn the MULTI JOG knob to set the start time, and then press the ALARM 1 button.**

- 4 Turn the MULTI JOG knob to select a source (FM, AM or Buzzer), and then press the ALARM 1 button.**

- You cannot select "AUX".
- If you select Buzzer, proceed to step **7**.

- 5 If you select FM or AM in step 4, tune into a station using the MULTI JOG knob to select <FREQ> or <PRESET>, and press the ALARM 1 button.**

- 6 Turn the MULTI jog knob to select a frequency or preset station, and press ALARM 1 button.**

- 7 Set the volume using the MULTI JOG knob, then press the ALARM 1 button.**

You could also leave the unit idle for 10 seconds instead of pressing the ALARM button. In this case, volume is set to 15 automatically.

Setting the timer is now completed and the timer is turned on.

The ALARM 1 indicator lights up.

- 8 Press the STANDBY/ON switch to turn the unit off (standby).**



**Do not forget to turn the unit off (standby), or the timer won't work.**



- If the unit is disconnected from the power supply and the batteries have been completely discharged for about an hour, clock and timer settings will be lost.

**In case ALARM 2 overlaps ALARM 1:**

**Example:**

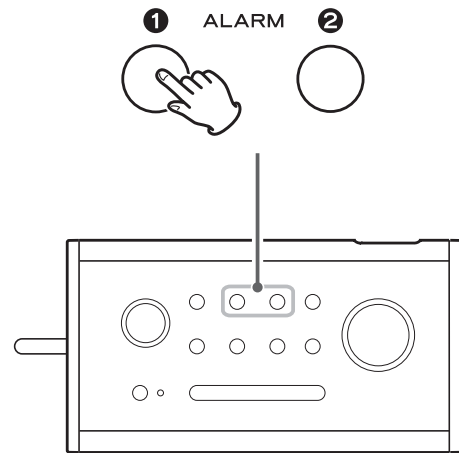
ALARM 1 (Start time: 7:00, Source: FM)

ALARM 2 (Start time: 7:30, Source: AM)

**If the timer settings overlap, the source changes to the next specified source automatically when the next setting time comes.**

In case of the example above, the unit turns on at 7:00 with FM tuner selected, then the source changes to AM tuner at 7:30. The unit turns off at 8:30.

## To check the timer setting

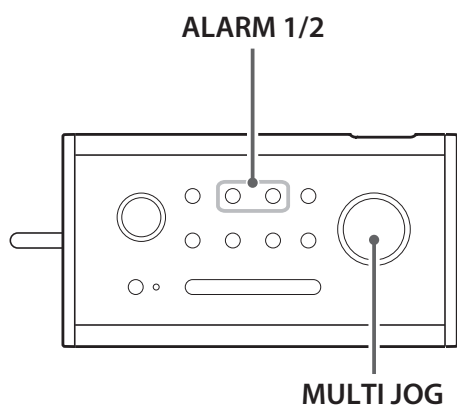


Press the corresponding ALARM (1 or 2) button to check your timer setting. The settings will be displayed one by one.

- This function will not work if no setting is stored in memory.
- To exit the checking mode, press the ALARM button repeatedly until the display returns to normal mode, or leave the unit about 10 seconds.

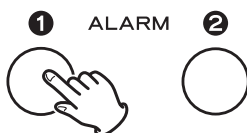
## Timer (2)

### To turn the timer on and off



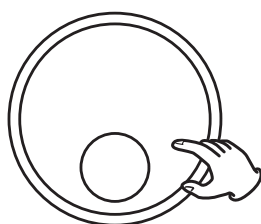
After setting the timer, you can turn it on or off.

- 1 Press and hold the ALARM button (1 or 2) for more than 2 seconds.**



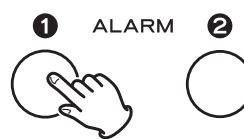
"Set alarm <Off>" or "Set alarm <On>" appears on the display.

- 2 Turn the MULTI JOG knob to select <On> or <Off>.**



TUNING/  
MULTI JOG

- 3 Press the ALARM button.**



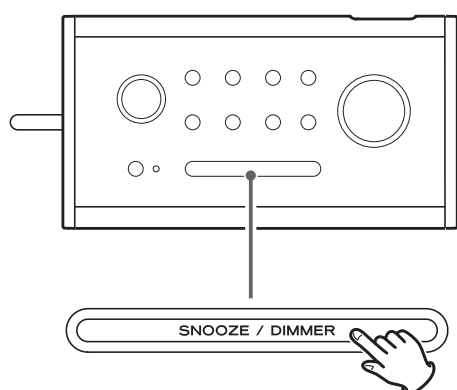
When the alarm is set to on, Alarm (1 or/and 2) indicator lights up.

Make sure to press the same ALARM button in step **1**.

## Snooze

You can put the unit in standby temporarily after the timer has turned on the unit.

Press the SNOOZE/DIMMER button.



The SNOOZE and ALARM indicator will blink on the display and the unit enters STANDBY mode.

After 5 minutes, the unit will turn on again.

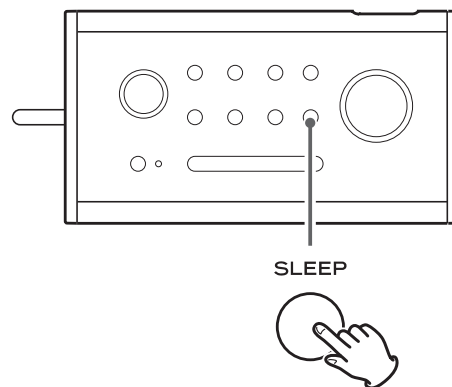
You can use this function repeatedly for up to 60 minutes.

- Press the STANDBY/ON button to stop this function.

## Sleep Timer

The unit can be put in standby after a specified amount of time.

Press the SLEEP button repeatedly until desired time appears on the display.



### **SLEEP 90, 60, 45, 30 or 15:**

The unit will be put in standby 90, 60, 45, 30 or 15 minutes later.

### **Normal Display:**

The sleep timer is off.

- The display is dimmed automatically when the sleep timer is on.

### **To check the remaining time**

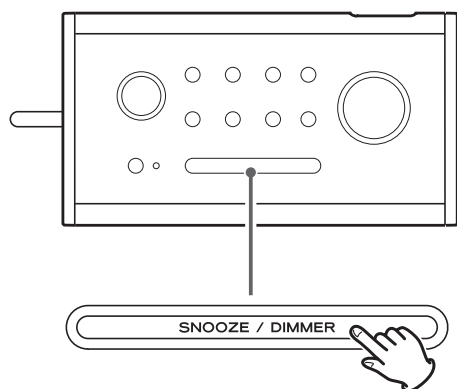
Press the SLEEP button once.

The remaining time will be displayed for 5 seconds, and then return to the normal display.

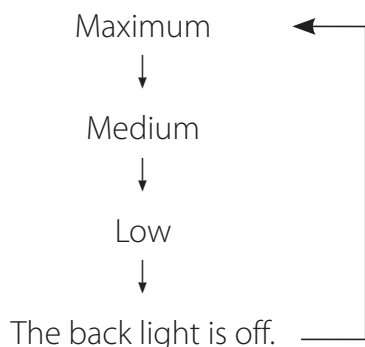
## Dimmer

You can adjust the display brightness.

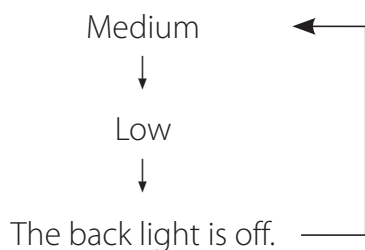
Press the SNOOZE/DIMMER button to adjust the display brightness.



The display brightness changes as follows:  
**When the R-5 is used on the AC adaptor's power:**



**When the R-5 is used on battery power:**



## Troubleshooting

If you have problems with your system, look through this chart and see if you can solve the problem yourself before calling your dealer or TEAC service center.

### Standby indicator does not light.

- ➔ When the unit is used on battery power, the indicator does not light to save the battery life.

### No power

- ➔ If the batteries are discharged, connect the AC adaptor to recharge the batteries.
- ➔ Check the connection to the AC power supply. Check and make sure the AC source is not a switched outlet and that, if it is, the switch is turned on. Make sure there is power to the AC outlet by plugging another item such as a lamp or fan into the outlet.

### No sound

- ➔ Turn the unit on and adjust the volume.
- ➔ Select the source by pressing the FUNCTION button.
- ➔ Pull out the headphone's plug from the PHONES jack.

### The sound is noisy.

- ➔ The unit is too close to a TV set or similar electronic appliances. Install the unit further from them, or turn them off. Also try a different electrical outlet or use your R-5 on battery power to see if the noise is coming from your electrical connection.

# Specifications

## Cannot listen to any station, or the signal is too weak.

- ➔ Tune in the station properly.
- ➔ For receiving an AM broadcast:
  - When the unit is used outdoors, rotate the unit for the best reception.
  - When the unit is used indoors, connect the supplied loop antenna.
- ➔ For receiving an FM broadcast, stretch the telescopic antenna and rotate it for the best reception.

## Timer won't work.

- ➔ Do not forget turn the unit off (standby) (see page 16).
- ➔ Set the alarm <On> (see page 18).

**If normal operation cannot be established, remove the battery pack and unplug the AC adaptor, wait a while, then install the battery pack and plug the AC adaptor again.**

## Frequency Range

- FM .....87.50 MHz to 108.00 MHz  
(50 kHz steps)
- AM..... 530 kHz to 1,710 kHz  
(10 kHz steps)

## Speaker

- Type .....65 mm
- Impedance..... 6 ohms

## General

- Output Power .....1.5 W
- Power Requirement (AC adaptor)  
230 V, 50 Hz
- Power Consumption .....5 W (at operation)  
15 W (during the charge)
- Dimension (W x H x D)... 240 x 130 x 122 mm
- Weight .....1.2 kg (including the battery)

## Standard Accessories

- AC Adaptor x 1
- AM indoor loop Antenna x 1
- Stereo mini plug cable x 1
- Owner's Manual x 1
- Warranty Card x 1

- Design and specifications are subject to change without notice.
- Illustrations may differ slightly from production models.

## For European customers

### Information for Users on Collection and Disposal of Old Equipment and used Batteries

These symbols on the products, packaging, and/or accompanying documents mean that used electrical and electronic products and batteries should not be mixed with general household waste. For proper treatment, recovery and recycling of old products and used batteries, please take them to applicable collection points, in accordance with your national legislation and the Directives 2002/96/EC and 2006/66/EC.

By disposing of these products and batteries correctly, you will help to save valuable resources and prevent any potential negative effects on human health and the environment which could otherwise arise from inappropriate waste handling.

For more information about collection and recycling of old products and batteries, please contact your local municipality, your waste disposal service or the point of sale where you purchased the items.

### Information on Disposal in other Countries outside the European Union

These symbols are only valid in the European Union. If you wish to discard these items, please contact your local authorities or dealer and ask for the correct method of disposal.

### Note for the battery symbol (bottom right two symbol examples):

This symbol might be used in combination with a chemical symbol. In this case it complies with the requirement set by the Directive for the chemical involved.



# Sommaire

**Nous vous remercions d'avoir choisi TEAC.  
Lisez ce manuel avec attention pour tirer les  
meilleures performances de cet appareil.**

- N'exposez pas cet appareil au ruissellement ni aux éclaboussures.
- Ne placez aucun objet contenant du liquide, tel qu'un vase, sur l'appareil.
- N'installez pas cet appareil dans un espace confiné comme une bibliothèque ou unité similaire.
- L'appareil tire un courant nominal de veille de la prise secteur quand son interrupteur POWER ou STANDBY/ON n'est pas en position ON.
- L'appareil doit être placé assez près de la prise de courant pour que vous puissiez à tout moment attraper facilement la fiche du cordon d'alimentation.
- La fiche secteur est utilisée comme dispositif de déconnexion et doit donc toujours rester disponible.
- Si le produit utilise des batteries (y compris un pack d'accus ou des piles), elles ne doivent pas être exposées au soleil, au feu ou à une chaleur excessive.
- Des précautions doivent être prises pour l'emploi d'écouteurs ou d'un casque avec le produit car une pression acoustique (volume) excessive dans les écouteurs ou dans le casque peut provoquer une perte d'audition.

Avant l'utilisation.....	24
Batteries rechargeables .....	24
Raccordements .....	26
Fonctions de l'appareil .....	28
Réglage de l'horloge .....	30
Écoute de la radio.....	31
Préréglage de syntonisation (preset)...	32
RDS .....	33
Écoute d'une source externe .....	34
Commande de tonalité.....	35
Casque .....	35
Réveil.....	36
Minuterie d'extinction.....	39
Atténuateur de luminosité.....	40
Guide de dépannage.....	40
Caractéristiques techniques .....	41

## Avant l'utilisation

- Il est possible que l'appareil devienne chaud durant l'utilisation, laissez donc toujours un espace suffisant autour de lui pour la ventilation.
- La tension fournie à l'appareil doit correspondre à la tension imprimée sur l'étiquette de l'adaptateur secteur. Si vous avez des doutes concernant l'alimentation de l'appareil, consultez un électricien.
- Choisissez soigneusement l'emplacement de votre appareil. Évitez de l'exposer directement aux rayons solaires ou à une source de chaleur. Évitez aussi les endroits sujets aux vibrations, à une poussière excessive, à la chaleur, au froid et à l'humidité.
- N'installez pas l'appareil au dessus d'un amplificateur/récepteur.
- N'ouvrez pas le boîtier car cela peut endommager le circuit ou causer un choc électrique. Si un objet étranger pénètre dans l'appareil, consultez votre revendeur ou le service après-vente.
- Quand vous débranchez le cordon d'alimentation de la prise secteur, tirez toujours la prise, jamais le cordon.
- Conservez ce livret dans un endroit sûr pour référence ultérieure.

## Entretien

Si la surface de l'appareil est sale, essuyez-la avec un chiffon doux ou utilisez un savon liquide léger dilué. Veillez à enlever tout excès de liquide. N'utilisez pas de diluant, benzine ou alcool car ils peuvent endommager la surface de l'appareil. Laissez la surface de l'appareil sécher complètement avant utilisation.

## Batteries rechargeables

Le R-5 utilise un pack de batteries Nickel-Hydrure de métal contenu dans le compartiment des batteries. Laisser l'adaptateur branché à la fois au R-5 et au secteur assure la recharge totale des batteries au cas où vous auriez besoin de faire fonctionner le R-5 sur batteries. Le R-5 a 5 heures d'autonomie après recharge complète des batteries (avec son volume réglé sur 20).

- Si le R-5 n'est pas employé alors que l'adaptateur secteur est branché, les batteries se rechargeront complètement en environ 3,5 heures si elles étaient totalement déchargées.
- Si le R-5 est allumé et l'adaptateur secteur branché, les batteries se rechargeront complètement en environ 24 heures.
- Il peut falloir jusqu'à 4 cycles de charge/décharge avant que les batteries ne fonctionnent à pleine capacité si le R-5 est neuf ou est resté inutilisé plusieurs semaines. Il est conseillé de laisser le R-5 branché environ 12 h avant son premier emploi.
- Une fois que le R-5 a été complètement chargé en veille (STANDBY), ne débranchez pas l'adaptateur secteur pour le rebrancher immédiatement. Cela relancerait le cycle de charge même si les batteries sont complètement chargées. Répéter cela endommagera les batteries.
- Si le R-5 n'est pas branché, les batteries se déchargent lentement par sécurité.
- Les cycles de recharge du pack de batteries Nickel-Hydrure de métal diminuent la capacité des batteries. Cela s'appelle "l'effet mémoire". Pour l'éviter, laissez parfois les batteries se décharger complètement avant de les recharger.  
Pour décharger les batteries, débranchez l'adaptateur secteur et laissez le R-5 allumé jusqu'à extinction automatique. Si l'autonomie des batteries se réduit, laissez les batteries inutilisées plusieurs semaines.

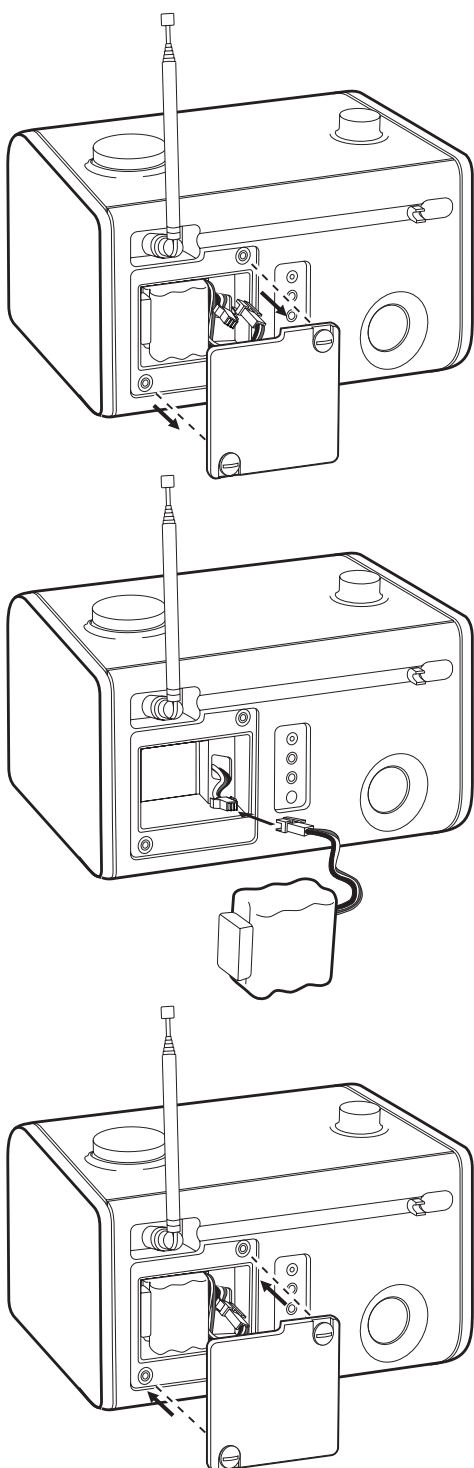


## Branchement des batteries

Le connecteur du pack de batteries n'est pas branché pour éviter la décharge quand vous achetez l'appareil.

Branchez le pack de batteries avant usage.

1. Ouvrez le compartiment des batteries.
2. Branchez le pack de batteries.
3. Refermez le couvercle.



## Remplacement des batteries

Quand les batteries sont hors d'usage, remplacez le pack de batteries par un neuf.

1. Retirez le couvercle du compartiment des batteries.
2. Débranchez le connecteur du pack de batteries et sortez ce dernier.
3. Insérez un nouveau pack de batteries et raccordez son connecteur.
4. Refermez le couvercle.

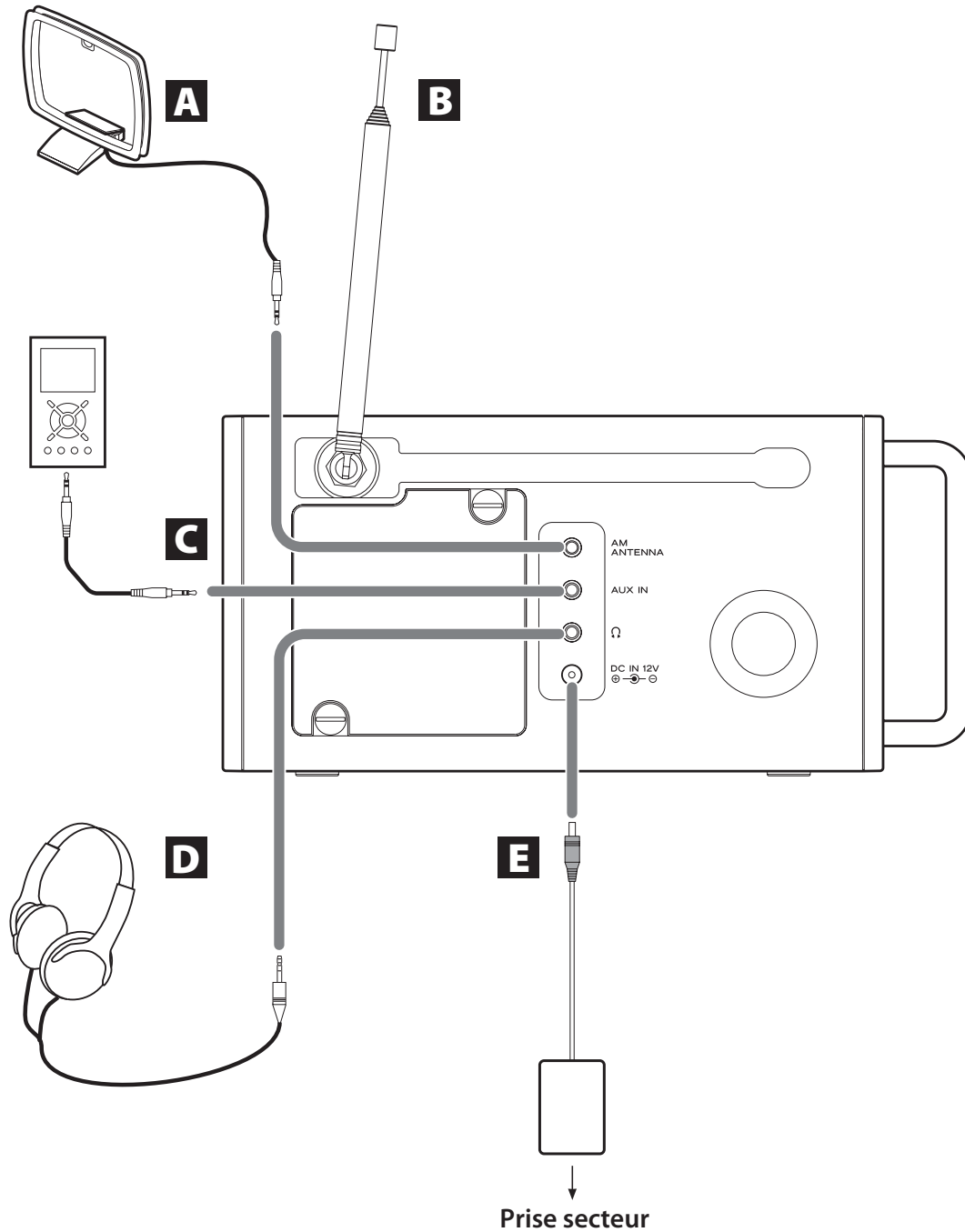
### ⚠ Attention :

- Ne chauffez pas et ne démontez pas des batteries rechargeables. Ne jetez jamais de vieilles batteries en les lançant dans un feu.

# Raccordements

## ATTENTION :

- Coupez l'alimentation avant de faire les raccordements.
- Lisez les modes d'emploi de tous les éléments que vous comptez employer avec cet appareil.
- Assurez-vous que chaque fiche est bien enfoncée. Pour éviter tout ronflement ou bruit parasite, ne regroupez pas les câbles de connexion.

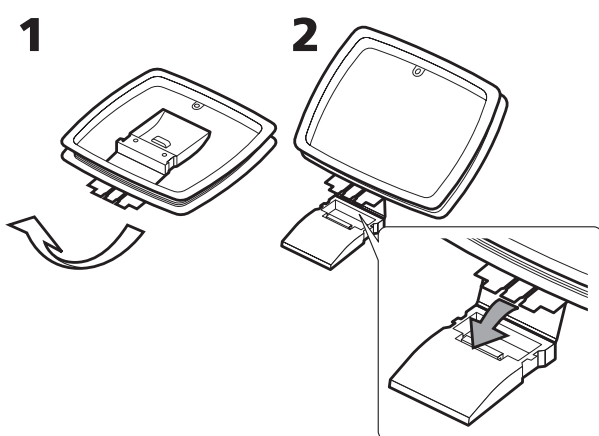


## **A** Antenne cadre AM d'intérieur

L'appareil a une antenne AM interne. Toutefois, quand vous utilisez l'appareil en intérieur, installez l'antenne cadre AM d'intérieur.

### **Pour installer l'antenne d'intérieur**

Pour faire tenir l'antenne droite sur une surface, fixez la griffe sur la fente à la base de l'antenne.



Branchez-la à la prise d'antenne AM. Placez l'antenne sur une étagère ou suspendez-la dans un encadrement de fenêtre, etc. et orientez-la dans la direction qui donne la meilleure réception.

## **B** Antenne FM télescopique

Déployez complètement l'antenne télescopique et orientez-la dans la direction qui donne la meilleure réception.

## **C** Prise AUX IN

Vous pouvez brancher un lecteur audio portable à cette prise. Branchez la sortie LINE OUT ou PHONES (prise de sortie audio) du lecteur à l'aide du câble mini-jack stéréo fourni.

Si vous utilisez la prise PHONES (casque) de votre mini-lecteur, vous devez régler le volume de ce dernier ou vous risquez de ne pas entendre de son par votre R-5.

- Trop monter le volume du mini-lecteur peut entraîner une distorsion du son produit par votre R-5. Si c'est le cas, réduisez le volume du mini-lecteur jusqu'à ce que la distorsion disparaisse puis réglez le volume du R-5 à un niveau d'écoute confortable.

## **D** Casque

Pour bénéficier d'une écoute privée, insérez la fiche de votre casque dans cette prise et réglez le volume à l'aide du bouton VOLUME.

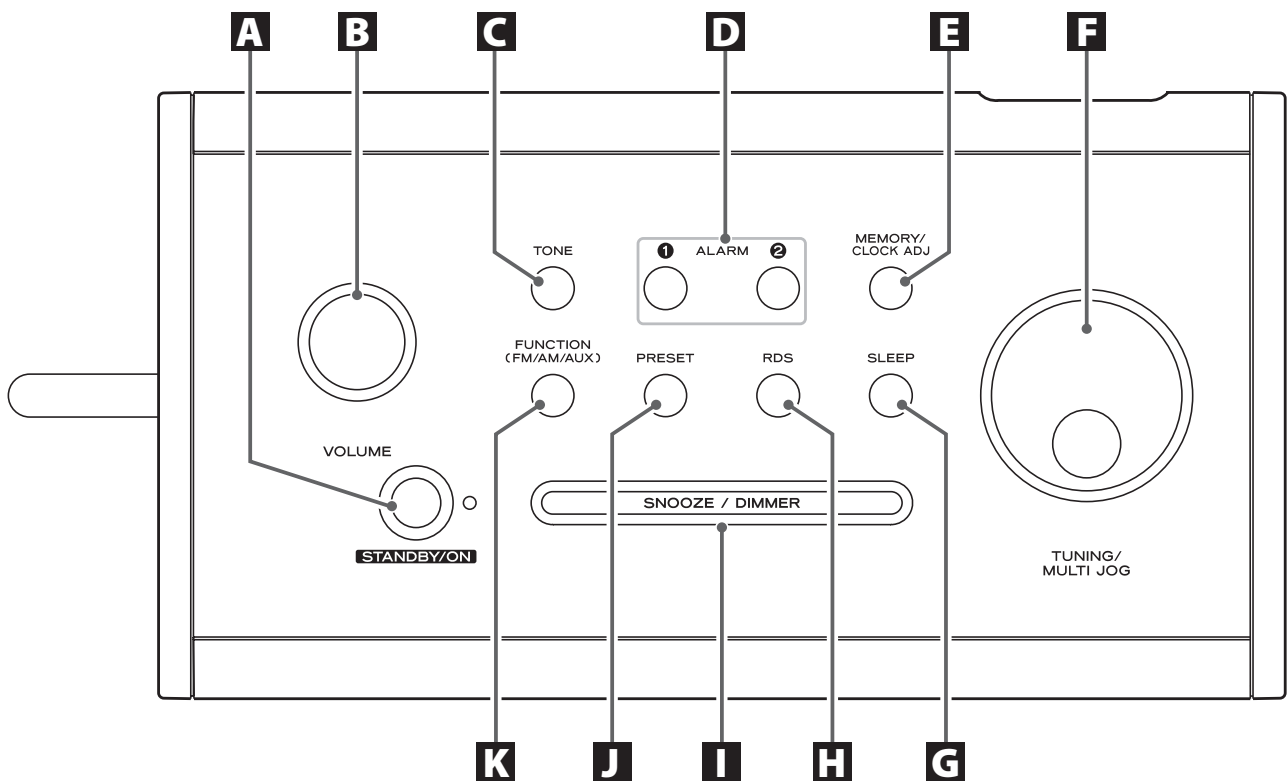
- Vous pouvez écouter au casque en stéréo si vous recevez une émission FM stéréo.

## **E** DC IN

Branchez à cette prise l'adaptateur secteur fourni. Puis branchez la fiche de l'adaptateur secteur à une prise secteur.

- ⚠ N'utilisez pas d'autre adaptateur secteur que celui fourni avec cet appareil pour éviter les incendies, chocs électriques, etc. Veillez bien à brancher l'adaptateur à une prise secteur fournissant la tension correcte.

# Fonctions de l'appareil



## **A** STANDBY/ON

Appuyez sur cette touche pour mettre l'appareil en service (On) ou en veille (Standby).

L'indicateur s'allume quand l'appareil est en veille alors que l'adaptateur secteur est connecté. Si l'appareil est alimenté par les batteries, l'indicateur ne s'allume pas pour accroître l'autonomie.

## **B** VOLUME

Tournez ce bouton pour régler le niveau de volume.

## **C** TONE

Utilisez cette touche avec la molette MULTI JOG pour régler les graves et les aigus.

## **D** ALARM 1/2

Utilisez ces touches pour régler les réveils.

## **E** MEMORY/CLOCK ADJ

Utilisez cette touche pour mémoriser des préréglages et régler l'horloge.

Pour régler l'horloge, maintenez cette touche pressée plus de 2 secondes afin de passer en mode de réglage d'horloge. Puis réglez l'horloge avec la molette MULTI JOG.

## **F** TUNING/MULTI JOG

En mode FM ou AM, utilisez cette molette pour rechercher une station.

Cette molette sert aussi à régler l'heure, à changer les réglages de réveil, etc.

## **G** SLEEP

Utilisez cette touche pour régler la minuterie d'extinction.

## **H** RDS

Utilisez cette touche pour sélectionner un mode RDS en radiodiffusion FM.

## **I** SNOOZE/DIMMER

Utilisez cette touche pour mettre temporairement en veille l'appareil et atténuer l'affichage.

Quand le réveil allume l'appareil, appuyez sur cette touche pour mettre l'appareil en veille 5 minutes.

Cette touche sert aussi à changer la luminosité de l'afficheur.

## **J** PRESET

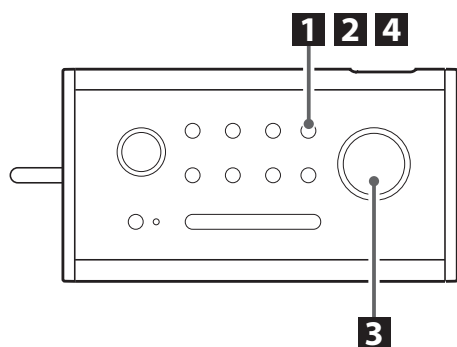
Utilisez cette touche pour sélectionner un préréglage.

## **K** FUNCTION (FM/AM/AUX)

Utilisez cette touche pour sélectionner FM, AM ou AUX.

Quand un appareil est branché à la prise AUX IN, sélectionnez AUX pour écouter la source externe.

# Réglage de l'horloge



- 1** Maintenez enfoncée la touche MEMORY/CLOCK ADJ durant plus de 2 secondes.

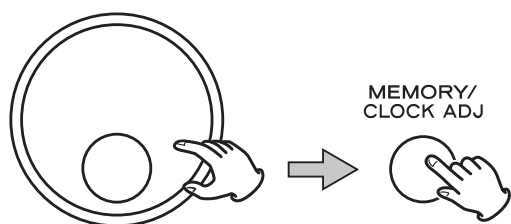
MEMORY/  
CLOCK ADJ



"Time Mode <24 Hours>" apparaît.

- Si aucune touche n'est pressée durant 10 secondes, le mode de réglage d'horloge est abandonné.

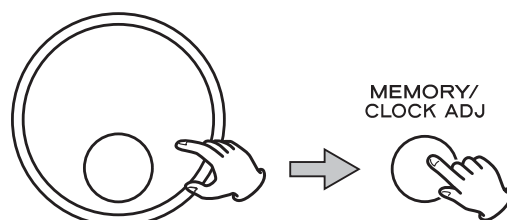
- 2** Si vous voulez changer le mode horaire, tournez la molette MULTI JOG pour sélectionner le mode 12 ou 24 heures puis appuyez sur la touche MEMORY/CLOCK ADJ.



TUNING/  
MULTI JOG

Le réglage par défaut est 24 heures.

- 3** Tournez la molette MULTI JOG pour régler l'heure puis appuyez sur la touche MEMORY/CLOCK ADJ.



TUNING/  
MULTI JOG

L'horloge démarre à 00 seconde.

- 4** Répétez l'étape 3 pour régler l'année, le mois et le jour.

- Si l'appareil est débranché de l'alimentation électrique et si les batteries sont complètement déchargées depuis une heure, les réglages d'horloge et de réveil sont perdus.

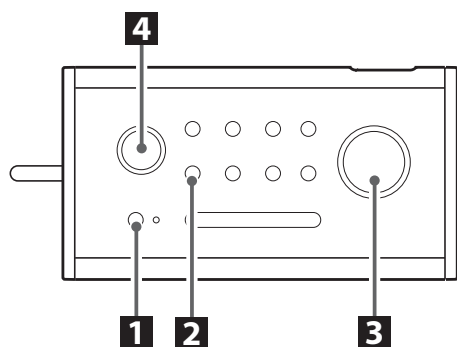
## Pour passer à l'heure d'été

Maintenez enfoncées ensemble les touches MEMORY/CLOCK ADJ et SLEEP pour passer à l'heure d'été.

L'horloge avancera d'une heure.

Pour retarder l'horloge d'une heure, maintenez à nouveau enfoncées ensemble les touches MEMORY/CLOCK ADJ et SLEEP.

# Écoute de la radio



## 1 Appuyez sur la touche STANDBY/ON pour allumer l'appareil.



L'indicateur de veille s'éteint.

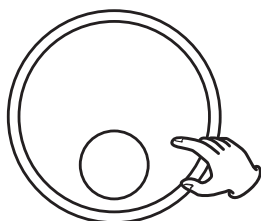
- L'appareil s'allume sur la dernière source ayant été sélectionnée.

## 2 Sélectionnez FM ou AM à l'aide de la touche FUNCTION.

FUNCTION  
(FM/AM/AUX)



## 3 Tournez la molette TUNING pour trouver une station.



TUNING/  
MULTI JOG

## Syntonisation manuelle

Tournez la molette MULTI JOG jusqu'à ce que vous ayez trouvé la station que vous souhaitez écouter.

La fréquence change par pas fixes.

## Auto tune (syntonisation automatique)

Appuyez sur la molette MULTI JOG pour lancer la syntonisation automatique.

Dès qu'une station est trouvée, l'appareil se cale automatiquement dessus.

Répétez cette étape jusqu'à ce que vous ayez trouvé la station souhaitée.

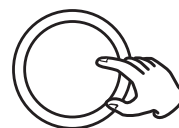
## Sélection d'un préséglage (preset)

Appuyez successivement sur la touche PRESET pour sélectionner un préséglage.

Vous obtenez la station dont la fréquence est préséglée.

- Pour la façon de préséglager (mémoriser) des stations, voir page 32.

## 4 Tournez le bouton VOLUME pour régler le volume.



VOLUME

Le niveau peut être réglé entre 00 et 30.

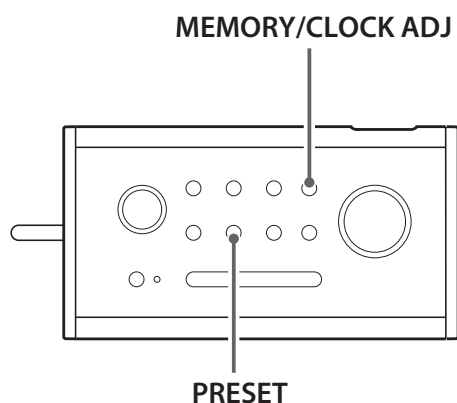
## Si la réception AM est mauvaise

Pour la meilleure réception, changez la direction de l'appareil ou de l'antenne connectée à cet appareil jusqu'à réception correcte des stations.

## Si la réception FM est mauvaise

Pour la meilleure réception, tournez l'antenne télescopique jusqu'à ce que vous receviez correctement les stations.

# Préréglage de syntonisation (preset)



Vous pouvez mémoriser 10 stations FM et 10 stations AM.

**1** Calez-vous sur une station que vous voulez écouter (voir les étapes **2** et **3** en page 31).

**2** Appuyez sur la touche MEMORY/CLOCK ADJ.

MEMORY/  
CLOCK ADJ



L'indicateur PRESET et un numéro de mémoire clignotent dans l'afficheur.



**3** Dans les 5 secondes, sélectionnez un emplacement de preset où mémoriser la station en appuyant successivement sur la touche PRESET.

PRESET



**4** Dans les 5 secondes, appuyez sur la touche MEMORY/CLOCK ADJ.

MEMORY/  
CLOCK ADJ



La station est mémorisée.

Répétez les étapes **1** à **4** pour mémoriser d'autres stations.

## Comment sélectionner des stations préréglées (presets)

Appuyez successivement sur la touche PRESET jusqu'à obtention de la station préréglée voulue.

PRESET



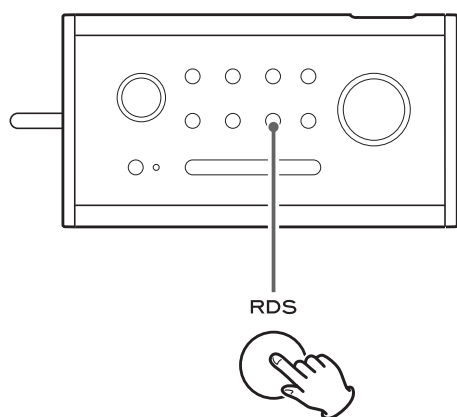


Le système RDS (Radio Data System) est un service de diffusion qui permet aux stations d'envoyer des informations supplémentaires en même temps que le programme radio normal.

**Le RDS ne fonctionne sur la bande FM qu'en Europe.**

**1 Réglez-vous sur une station FM (voir page 31).**

**2 Appuyez sur la touche RDS.**



Chaque fois que vous appuyez sur la touche RDS, le mode RDS change comme suit :

### Type de programme RDS (PTY)

Si vous sélectionnez PTY, le type de programme est affiché.

S'il n'y a pas de données PTY, "NO PTY" s'affiche.

### Texte radio RDS (RT)

Si vous sélectionnez RT, jusqu'à 64 caractères d'informations transmis par la station s'affichent.

S'il n'y a pas de données RT, "NO TEXT" s'affiche.

### Horloge RDS (CT)

L'heure fournie par la station s'affiche.

Si vous sélectionnez l'horloge RDS, l'heure fournie par la station s'affiche.

### RDS désactivé (affichage normal)

L'horloge de cet appareil sera automatiquement réglée par les données d'horloge (CT).

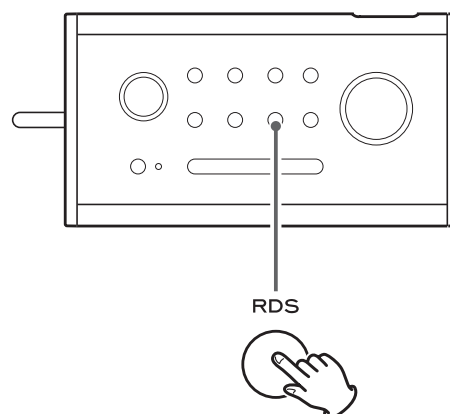
Si vous captez une station RDS diffusant des données CT incorrectes, l'horloge peut être mal réglée et risquer au final d'affecter le fonctionnement de la minuterie.

Si vous ne voulez pas que l'horloge de cet appareil soit réglée par les données CT, désactivez le réglage automatique d'horloge.

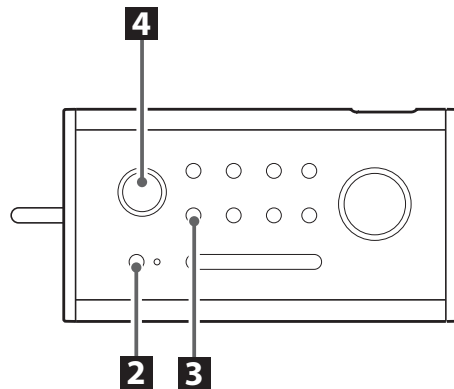
- Quel que soit le mode RDS sélectionné, l'appareil reçoit les données CT et règle l'horloge en conséquence.

**Pour activer/désactiver le réglage automatique d'horloge, maintenez la touche RDS enfoncée plus de 2 secondes.**

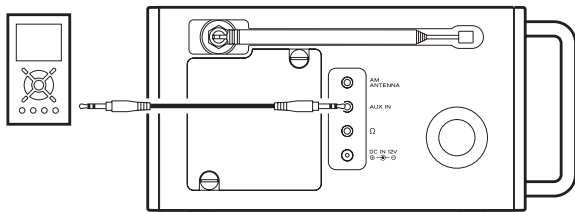
"CT ON" ou "CT OFF" apparaît brièvement.



# Écoute d'une source externe



**1** Reliez la prise PHONES (prise de sortie audio pour casque) d'un appareil audio portable à la prise AUX IN du R-5 à l'aide du câble mini-jack stéréo fourni.



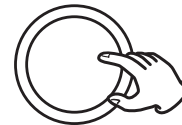
**2** Appuyez sur l'interrupteur **STANDBY/ON** pour allumer l'appareil.



**3** Appuyez successivement sur la touche **FUNCTION** pour sélectionner AUX.

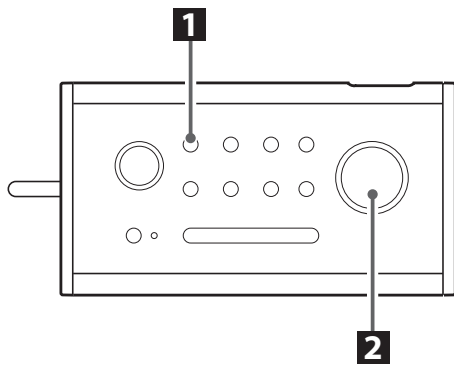


**4** Faites jouer la source, et réglez le volume avec le bouton **VOLUME** du R-5 et celui du lecteur audio.



Si vous utilisez la prise PHONES (casque) de votre mini-lecteur, vous devez régler le volume de ce dernier ou vous risquez de ne pas entendre de son par votre R-5.

## Commande de tonalité



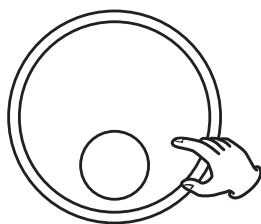
- 1 Appuyez successivement sur la touche TONE afin de sélectionner un paramètre à régler.**



Pour régler le niveau des graves, sélectionnez "Set bass".

Pour régler le niveau des aigus, sélectionnez "Set treble".

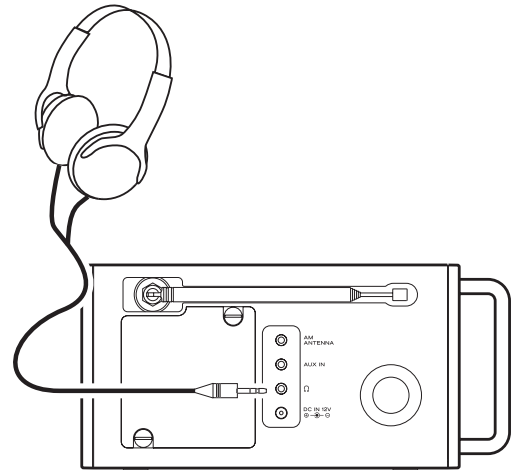
- 2 Tournez la molette MULTI JOG pour changer le réglage.**



TUNING/  
MULTI JOG

Le niveau peut être réglé entre -4 et +4.

## Casque



Insérez la fiche du casque dans la prise prévue à cet effet (🎧) et réglez le volume.

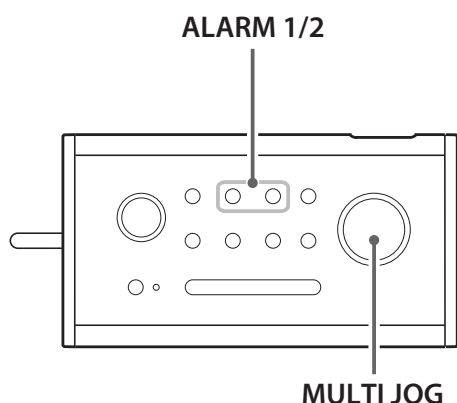
Quand une émission FM stéréo est reçue, vous pouvez écouter le son en stéréo en branchant votre casque stéréo à la prise casque.

Vous pouvez aussi entendre en stéréo le son d'une source externe branchée à la prise AUX IN.

### ATTENTION

Baissez toujours le niveau de volume avant de brancher votre casque. **POUR ÉVITER D'ENDOMMAGER VOTRE AUDITION** - Ne mettez pas votre casque sur la tête avant de l'avoir branché.

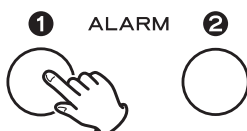
# Réveil (1)



- L'appareil peut être programmé pour s'allumer à une heure donnée. Il s'éteindra 60 minutes après l'heure de réveil programmée.
- L'appareil peut mémoriser 2 heures de réveil.
- Réglez l'horloge avant la minuterie.

Les procédures ci-dessous règlent ALARM 1.  
Suivez les mêmes étapes pour régler ALARM 2.

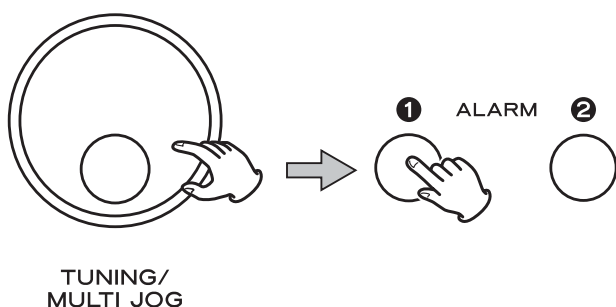
## 1 Maintenez pressée la touche ALARM 1 pendant plus de 2 secondes.



"Set alarm <Off>" (réveil désactivé) s'affiche.

- Si aucune touche n'est pressée durant 10 secondes, le mode de réglage de réveil est abandonné.

## 2 Tournez la molette MULTI JOG pour sélectionner <ON> (activé), puis appuyez sur la touche ALARM 1.



## 3 Tournez la molette MULTI JOG pour régler l'heure de réveil, puis appuyez sur la touche ALARM 1.

## 4 Tournez la molette MULTI JOG pour choisir une source (FM, AM ou Buzzer), puis appuyez sur la touche ALARM 1.

- Vous ne pouvez pas sélectionner "AUX".
- Si vous choisissez Buzzer, passez à l'étape 7.

## 5 Si vous avez choisi FM ou AM à l'étape 4, trouvez une station avec MULTI JOG pour choisir <FREQ> ou <PRESET>, et appuyez sur la touche ALARM 1.

## 6 Tournez la molette MULTI JOG pour sélectionner une fréquence ou une station pré-réglée (preset), et appuyez sur la touche ALARM 1.

## 7 Réglez le volume avec MULTI JOG, et appuyez sur la touche ALARM 1.

Vous pouvez aussi ne plus toucher l'appareil pendant 10 secondes plutôt que d'appuyer sur la touche ALARM. Dans ce cas, le volume est automatiquement réglé sur 15.

Le réglage du réveil est maintenant terminé et le réveil est activé.

L'indicateur ALARM 1 s'allume.

## 8 Appuyez sur la touche STANDBY/ON pour éteindre l'appareil (mise en veille).



**N'oubliez pas de remettre l'appareil en veille ou le réveil ne fonctionnera pas.**

- Si l'appareil est débranché de l'alimentation électrique et si les batteries sont complètement déchargées depuis une heure, les réglages d'horloge et de réveil sont perdus.

**Si les réveils ALARM 2 et ALARM 1 se chevauchent :**

**Exemple :**

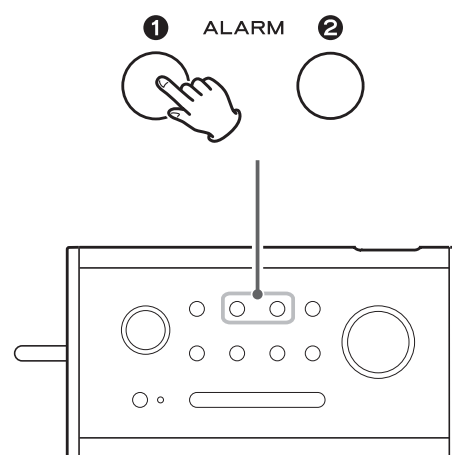
ALARM 1 (heure de réveil : 7:00, source : FM)

ALARM 2 (heure de réveil : 7:30, source : AM)

**Si les réglages des réveils se chevauchent, la source change automatiquement pour la prochaine source spécifiée à l'heure du second réveil.**

Dans l'exemple ci-dessus, l'appareil s'allume à 7:00 sur le tuner FM, puis la source devient le tuner AM à 7:30. L'appareil s'éteint à 8:30.

## Pour vérifier le réglage du réveil

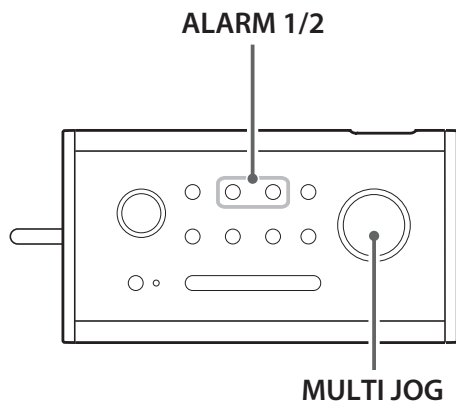


Appuyez sur la touche ALARM (1 ou 2) pour vérifier l'heure du réveil correspondant. Les réglages seront affichés un par un.

- Cette fonction n'agira pas si aucun réglage n'est mémorisé.
- Pour sortir du mode de vérification, appuyez successivement sur la touche ALARM jusqu'à ce que l'affichage revienne au mode normal, ou ne touchez pas à l'appareil pendant environ 10 secondes.

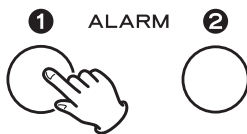
## Réveil (2)

### Pour activer/désactiver le réveil



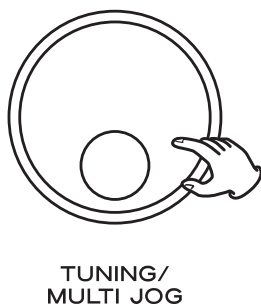
Après avoir réglé le réveil, vous pouvez l'activer ou le désactiver.

#### **1** Maintenez pressée la touche ALARM (1 ou 2) pendant plus de 2 secondes.

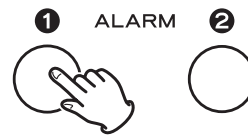


“Set alarm <Off>” (réveil désactivé) ou “Set alarm <On>” (réveil activé) s'affiche.

#### **2** Tournez la molette MULTI JOG pour sélectionner <On> ou <Off>.



#### **3** Appuyez sur la touche ALARM.



Quand le réveil est activé (On), l'indicateur Alarm (1 ou/et 2) s'allume.

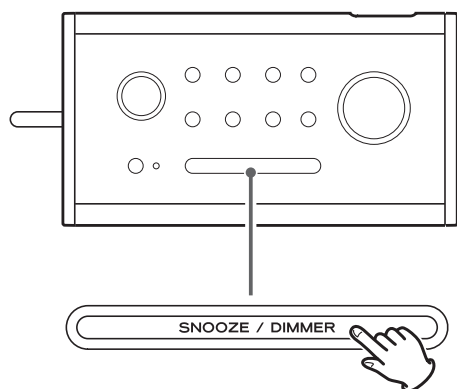
Veillez à appuyer sur la même touche ALARM qu'à l'étape **1**.

## Minuterie d'extinction

### Snooze (report de réveil)

Vous pouvez temporairement mettre l'appareil en veille après son allumage par le réveil.

Appuyez sur la touche SNOOZE/DIMMER.



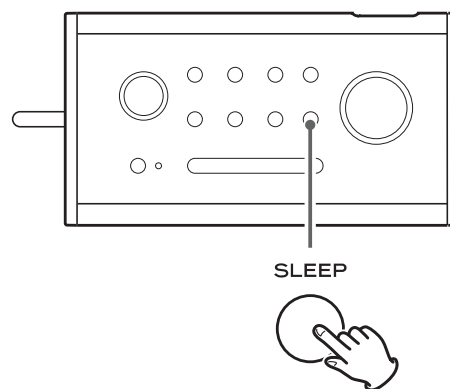
Les indicateurs SNOOZE et ALARM clignoteront dans l'afficheur et l'appareil passera en mode de veille (STANDBY). Après 5 minutes, l'appareil se rallumera.

Vous pouvez répéter l'emploi de cette fonction durant 60 minutes.

- Appuyez sur la touche STANDBY/ON pour arrêter cette fonction.

L'appareil peut être mis en veille après un temps défini.

Appuyez successivement sur la touche SLEEP jusqu'à ce que le temps désiré s'affiche.



#### **SLEEP 90, 60, 45, 30 ou 15 :**

L'appareil passera en veille 90, 60, 45, 30 ou 15 minutes plus tard.

#### **Affichage normal :**

La minuterie d'extinction est désactivée.

- L'écran est automatiquement atténué quand la minuterie d'extinction est activée.

#### **Pour vérifier le temps restant**

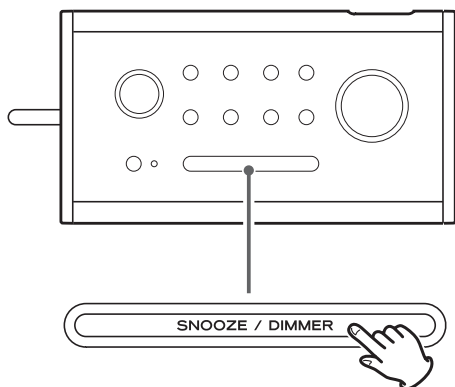
Appuyez une fois sur la touche SLEEP.

Le temps restant s'affichera durant 5 secondes, puis l'affichage normal reviendra.

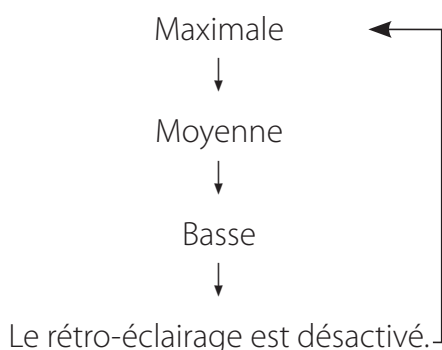
## Atténuateur de luminosité

Vous pouvez régler la luminosité de l'affichage.

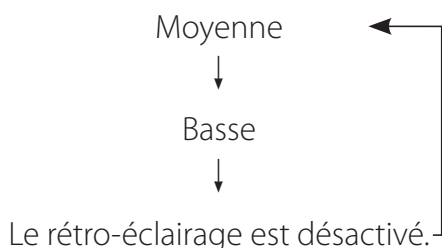
Appuyez sur la touche SNOOZE/DIMMER pour régler la luminosité de l'affichage.



La luminosité de l'affichage change ainsi :  
**Si le R-5 est alimenté par l'adaptateur secteur :**



**Si le R-5 est alimenté par les batteries :**



## Guide de dépannage

Si vous avez des problèmes avec cet appareil, veuillez consulter cette liste et essayez de voir si vous pouvez résoudre vous-même le problème avant d'appeler votre revendeur ou un service après-vente TEAC.

### L'indicateur Standby ne s'allume pas.

- ➔ Quand l'appareil est alimenté par les batteries, l'indicateur ne s'allume pas pour accroître l'autonomie.

### Pas d'alimentation

- ➔ Si les batteries sont déchargées, branchez l'adaptateur secteur pour les recharger.
- ➔ Vérifiez le branchement à l'alimentation secteur. Vérifiez et assurez-vous que la source d'alimentation n'est pas une prise commutée, et si c'est le cas, qu'elle est en service. Vérifiez que la prise délivre bien du courant en y branchant un autre appareil tel qu'une lampe ou un ventilateur.

### Pas de son

- ➔ Allumez l'appareil et réglez son volume.
- ➔ Sélectionnez la source en appuyant sur la touche FUNCTION.
- ➔ Retirez la fiche du casque de la prise pour casque.

### Le son est parasité.

- ➔ L'appareil est trop proche d'un téléviseur ou appareil électronique similaire. Installez-le à l'écart de tels dispositifs ou éteignez-les. Essayez aussi une autre prise électrique ou faites fonctionner votre R-5 sur batteries pour voir si les parasites viennent de votre connexion électrique.



## Caractéristiques techniques

### Aucune station ne peut être captée, ou le signal est trop faible.

- ➔ Réglez correctement la station.
- ➔ Pour recevoir une émission AM :
  - Si l'appareil est employé en extérieur, tournez-le à la recherche de la meilleure réception.
  - Si l'appareil est employé en intérieur, branchez l'antenne cadre fournie.
- ➔ Pour recevoir une émission FM, déployez l'antenne télescopique et tournez-la à la recherche de la meilleure réception.

### Le réveil ne fonctionne pas.

- ➔ N'oubliez pas d'éteindre l'appareil (de le mettre en veille ou standby) (voir page 36).
- ➔ Réglez le réveil sur <On> (voir page 38).

**Si vous ne pouvez pas rétablir un fonctionnement normal, retirez le pack de batteries et débranchez l'adaptateur secteur, attendez un moment puis réinstallez le pack de batteries et rebranchez l'adaptateur secteur.**

### Plage de fréquences

FM .....87.50 MHz à 108.00 MHz  
(pas de 50 kHz).  
AM..... 530 kHz à 1 710 kHz  
(pas de 10 kHz).

### Haut-parleur

Type .....65 mm  
Impédance..... 6 ohms

### Générales

Puissance de sortie .....1,5 W  
Alimentation (adaptateur secteur)  
230 V, 50 Hz  
Consommation électrique .5 W (en fonction)  
15 W (en charge)  
Dimensions (L x H x P) ... 240 x 130 x 122 mm  
Poids..... 1,2 kg (batteries comprises)

### Accessoires standard

Adaptateur secteur x 1  
Antenne cadre AM d'intérieur x 1  
Câble mini-jack stéréo x 1  
Mode d'emploi x 1  
Carte de garantie x 1

- Conception et caractéristiques techniques sont sujettes à changements sans préavis.
- Les illustrations peuvent légèrement différer des modèles de production.

## Pour les consommateurs européens

### Information pour les utilisateurs sur la collecte et l'enlèvement des équipements et piles usagés

Ces symboles sur les produits, emballages et/ou documents d'accompagnement signifient que les produits électriques et électroniques ainsi que les piles usagées ne doivent pas être mélangés avec les déchets domestiques ordinaires. Pour un traitement, une récupération et un recyclage corrects des produits anciens et des piles usagées, veuillez les rapporter au point de collecte concerné, conformément à votre législation nationale et aux directives 2002/96/EC et 2006/66/EC.

En jetant correctement ces produits et piles, vous aiderez à sauvegarder des ressources précieuses et éviterez tout effet potentiellement négatif sur la santé humaine et sur l'environnement qui pourrait sinon découler d'une gestion inappropriée des déchets.

Pour des informations plus détaillées sur la mise au rebut et le recyclage de vos anciens appareils et batteries, veuillez contacter votre mairie, le service de traitement des ordures ou le magasin dans lequel vous avez acheté le produit.

### Information sur la mise au rebut dans d'autres pays extérieurs à l'Union Européenne

Ces symboles ne sont valables qu'en Union Européenne. Si vous désirez éliminer ces éléments, veuillez contacter votre administration locale ou votre revendeur et leur demander la méthode correcte d'élimination.

### Note pour le symbole (les deux exemples en bas à droite) :

Ce symbole peut être utilisé en combinaison avec un symbole chimique. Dans ce cas, il indique une conformité avec les impératifs définis par la directive pour le produit chimique en question.



**Gracias por elegir TEAC. Lea este manual atentamente para obtener el mejor rendimiento de esta unidad.**

Antes de su utilización .....	44
Pilas recargables .....	44
Conexiones.....	46
Funciones de la unidad .....	48
Ajustar el reloj .....	50
Escuchar la radio.....	51
Sintonización de presintonías.....	52
RDS .....	53
Escuchar una fuente externa .....	54
Control de tono.....	55
Auriculares.....	55
Temporizador.....	56
Temporizador de apagado .....	59
Atenuador de pantalla .....	60
Solución de posibles fallos .....	60
Especificaciones .....	61

- No exponga este aparato a salpicaduras ni goteras.
- No coloque objetos que contengan líquidos, como por ejemplo vasos, sobre el aparato.
- No instale este aparato en lugares cerrados tales como estanterías o similares.
- Este aparato libera corriente nominal no válida para el funcionamiento a través de la toma de corriente, aún cuando el interruptor de encendido y activación (POWER o STANDBY/ON) no esté en la posición de encendido (ON).
- Este aparato debe situarse lo suficientemente cerca de una toma de electricidad como para poder alcanzar fácilmente el cable de corriente en cualquier momento.
- El transformador/adaptador se utiliza como dispositivo de desconexión, y por tanto deberá permanecer siempre accesible.
- Si el producto utiliza pilas (esto incluye las pilas instalables o los packs de pilas), se evitará su exposición directa al sol, al fuego o a cualquier otra fuente de calor excesivo.
- Deberá llevar cuidado si utiliza auriculares con este producto, ya que una excesiva presión sonora (volumen) procedente de los mismos puede causar pérdidas de audición.

## Antes de su utilización

- Dado que la unidad puede calentarse durante el funcionamiento, deje siempre suficiente espacio a su alrededor para su ventilación.
- El voltaje suministrado a la unidad debe coincidir con el voltaje impreso en la etiqueta del adaptador. Si tiene alguna duda al respecto, consulte a un electricista.
- Elija bien el lugar de instalación de esta unidad. Evite situarla directamente a la luz del sol o cerca de una fuente de calor. Evite colocarla donde esté sujeta a vibraciones, polvo excesivo, calor, frío o humedad.
- No sitúe la unidad sobre un amplificador o receptor.
- No abra la carcasa porque podría causar daños a los circuitos o una descarga eléctrica. Si se introduce algún objeto extraño en la unidad, contacte con su distribuidor o con un servicio técnico autorizado.
- Cuando quite el adaptador de corriente de la toma de electricidad, tire siempre directamente del adaptador, nunca del cable.
- Guarde este manual en un lugar seguro para futuras consultas.

## Mantenimiento

Si la superficie de esta unidad se ensucia, límpiela con un paño suave o use jabón líquido suave diluido. Asegúrese de eliminar cualquier residuo de líquido. No use disolvente, bencina o alcohol, ya que pueden dañar la superficie de la unidad. Deje secar la superficie de la unidad completamente antes de usarla.

## Pilas recargables

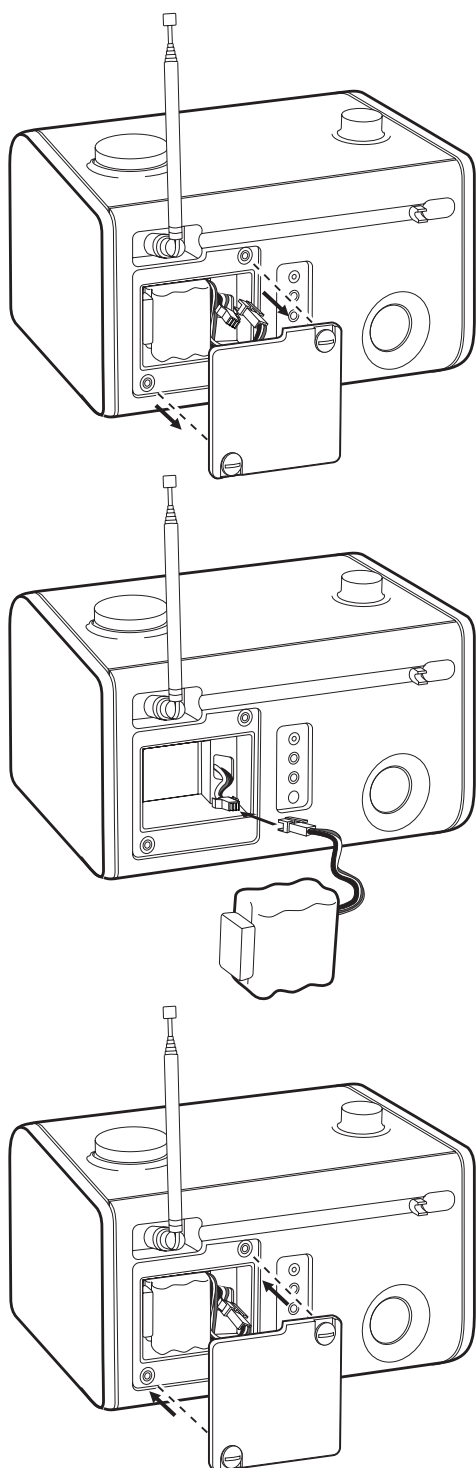
La R-5 usa un pack de pilas de Níquel Metal Hidruro que se guarda en el compartimento de las pilas. Si deja el adaptador de corriente conectado a la R-5 y enchufado a una toma de electricidad se asegurará de que las pilas estén totalmente cargadas cuando necesite usar la R-5 con la alimentación de las pilas. La R-5 se puede usar durante 5 horas después de cargar totalmente las pilas (con el volumen a 20).

- Cuando la R-5 no se está usando pero el adaptador de corriente está enchufado, las pilas se cargan totalmente en unas 3,5 horas partiendo de un estado de descarga total.
- Cuando la R-5 está encendida y el adaptador enchufado, las pilas se cargan totalmente en unas 24 horas aproximadamente.
- Puede necesitarse un ciclo de 4 cargas y descargas antes de que las pilas funcionen a plena capacidad cuando la R-5 es nueva o ha estado sin usarse durante varias semanas. Se aconseja que la R-5 esté enchufada durante unas 12 horas antes de usarla por primera vez.
- Un vez que la R-5 se haya cargado del todo estando en reposo (STANDBY), no desconecte el adaptador de corriente y luego lo conecte inmediatamente. Esto reiniciará el ciclo de carga aunque las pilas estén cargadas del todo. Hacerlo repetidamente dañará las pilas.
- Si la R-5 no está enchufada, las pilas se descargarán lentamente como medida de seguridad.
- El pack de pilas de Níquel Metal Hidruro disminuye la capacidad de las pilas por el denominado "efecto memoria". Para evitarlo, las pilas deben descargarse totalmente a veces antes de recargarse. Para descargar las pilas, desenchufe el adaptador de corriente y deje la R-5 encendida hasta que se apague automáticamente. Si percibe que ha disminuido la capacidad de las pilas, deje el pack de pilas sin usar durante varias semanas.

## Conectar las pilas

El conector del pack de pilas no está conectado para evitar que estén descargadas al comprar la unidad. Conecte el pack de pilas antes de usar la unidad.

1. Quite la tapa del compartimento de las pilas
2. Conecte el pack de pilas.
3. Cierre la tapa.



## Sustitución de las pilas

Cuando el pack de pilas esté agotado, sustitúyalo por uno nuevo.

1. Quite la tapa del compartimento de las pilas.
2. Desconecte el conector del pack de pilas y quítelo.
3. Inserte un pack de pilas nuevo y acóplele su conector.
4. Cierre la tapa.

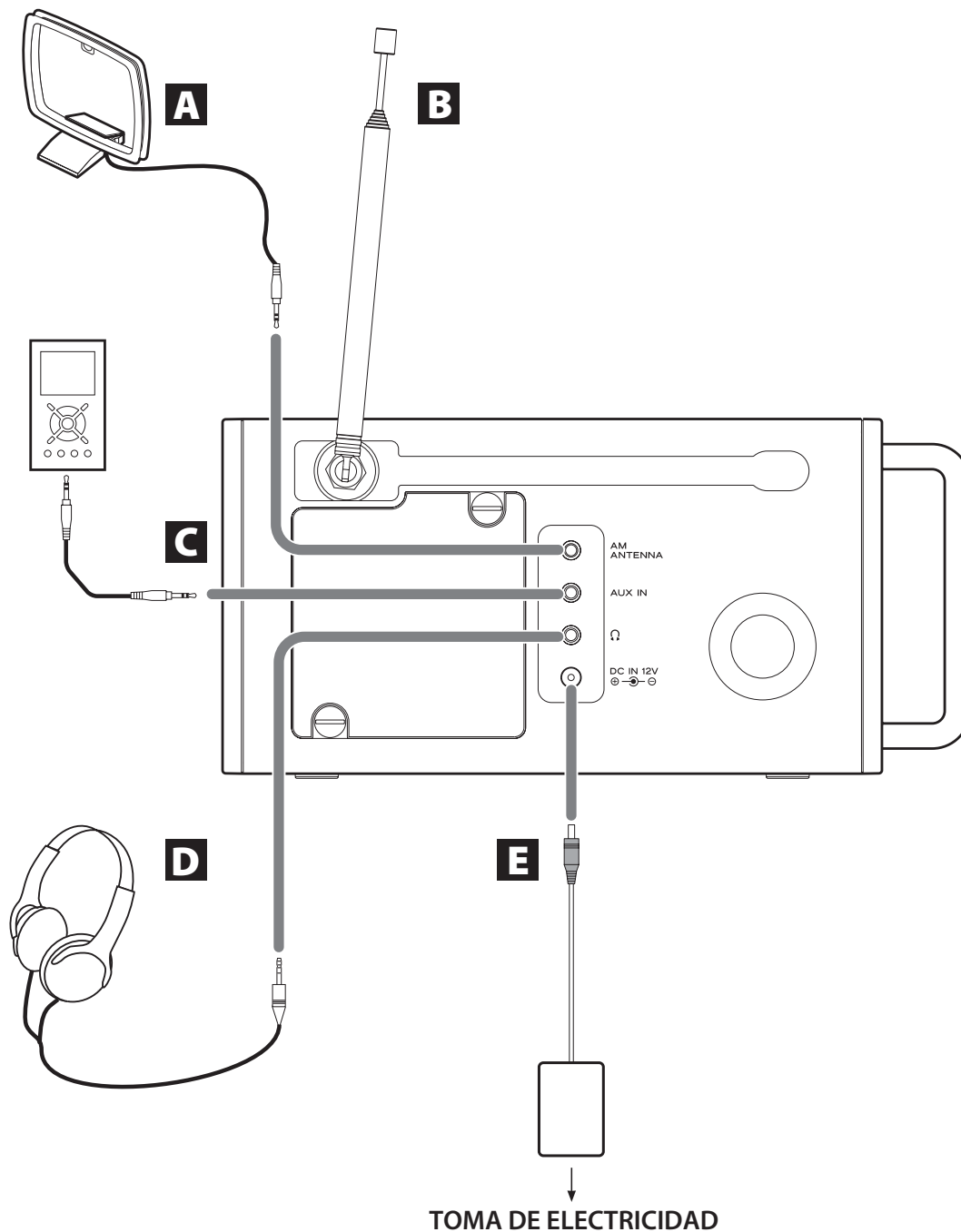
### ⚠ Precaución:

- No caliente ni desarme las pilas recargables. Nunca se deshaga de las pilas viejas arrojándolas al fuego.

# Conexiones

## PRECAUCIÓN:

- Desenchufe la unidad de la corriente antes de hacer ninguna conexión.
- Lea las instrucciones de cada aparato o dispositivo que vaya a usar con esta unidad.
- Asegúrese de que todas las conexiones están bien hechas. Para evitar ruidos y zumbidos, no agrupe los cables de conexión.

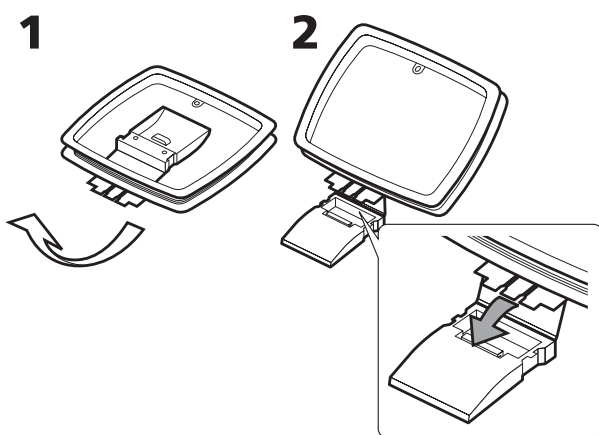


## **A** Antena de bucle de AM para interior

La unidad tiene una antena de AM interna. Sin embargo, cuando use la unidad en un espacio interior, monte la antena de bucle para interiores.

### **Montaje de la antena de interior**

Fije la pestaña en la ranura que hay en la base de la antena para poder colocar la antena de bucle sobre una superficie.



Conéctela al terminal "AM ANTENNA". Colóquela en un estante o cuélguela del marco de una ventana, etc., orientada en la dirección en que obtenga mejor recepción.

## **B** Antena telescópica de FM

Extienda la antena telescópica en toda su longitud y gírela para orientarla en la dirección en que obtenga mejor recepción.

## **C** Terminal AUX IN

Aquí puede conectar un reproductor de audio portátil.

Conecte la salida de línea (LINE OUT) o la salida de auriculares (PHONES) del reproductor externo utilizando el cable con mini jack estéreo suministrado.

Cuando utilice la salida de auriculares de su mini reproductor externo, debe ajustar el volumen del mini reproductor o puede que no se oiga nada a través de la R-5.

- Si sube mucho el volumen del mini reproductor conectado, podría causar distorsión en el sonido de la R-5. En ese caso, reduzca el volumen del mini reproductor hasta que desaparezca la distorsión y después ajuste el nivel del volumen de la R-5 hasta un nivel de escucha confortable.

## **D** Salida de auriculares

Para una escucha privada, conecte aquí sus auriculares y ajuste el volumen usando el mando giratorio VOLUME.

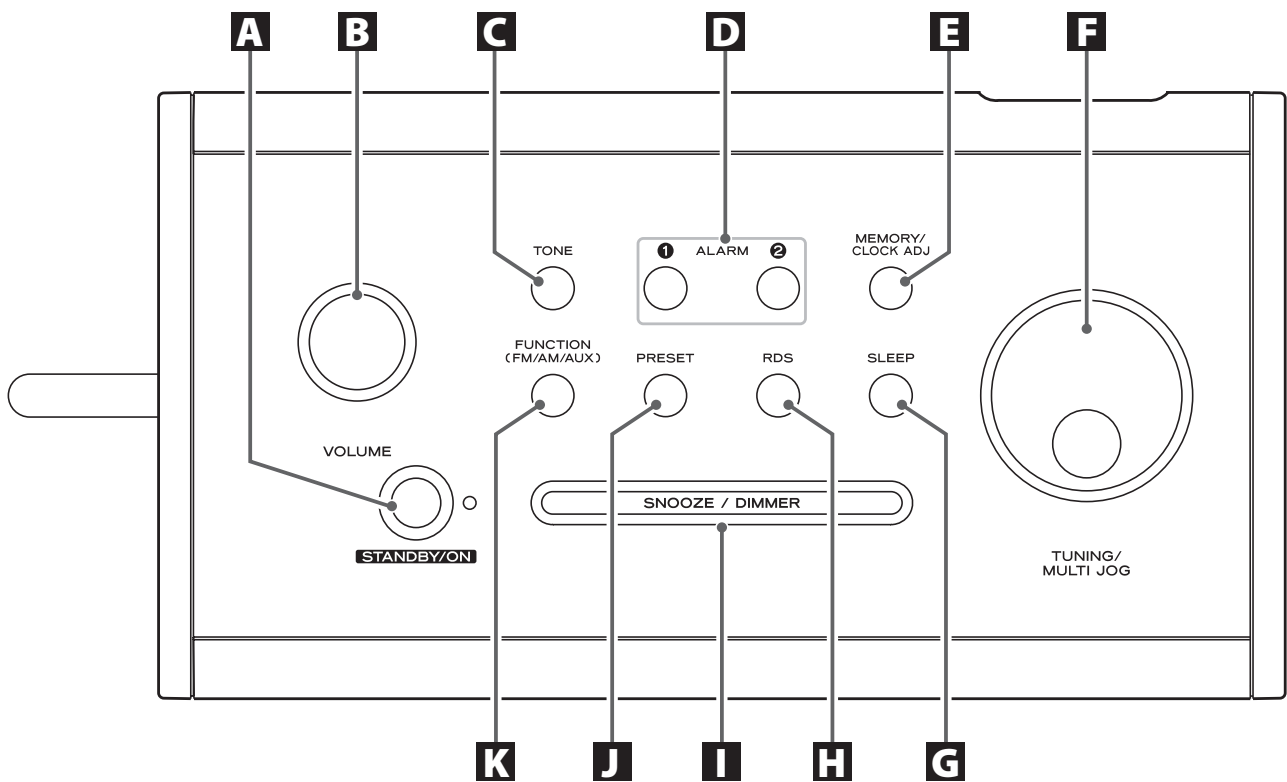
- Puede escuchar en estéreo usando unos auriculares cuando esté sintonizada una emisora de FM que emita en estéreo.

## **E** DC IN

Conecte el adaptador de corriente suministrado en este terminal. Después enchufe el adaptador de corriente a una toma de electricidad.

- ⚠ No utilice ningún adaptador de corriente que no sea el incluido con esta unidad para evitar riesgo de incendio, descargas eléctricas, etc. Asegúrese de conectar el adaptador a una toma de electricidad que suministre el voltaje correcto.

# Funciones de la unidad





## **A** STANDBY/ON

Use este botón para encender (ON) la unidad o ponerla en reposo (STANDBY).

El indicador se enciende cuando la unidad está en reposo y el adaptador de corriente esté conectado. Cuando utilice la unidad con la alimentación de las pilas, el indicador no se enciende para ahorrar y alargar la vida de las pilas.

## **B** VOLUME

Gire este mando para ajustar el nivel del volumen.

## **C** TONE

Use este botón junto con el mando MULTI JOG para ajustar los graves y los agudos.

## **D** ALARM 1/2

Use estos botones para ajustar los temporizadores.

## **E** MEMORY/CLOCK ADJ

Utilice este botón para almacenar los canales de presintonías en la memoria y ajustar el reloj.

Para ajustar el reloj, mantenga pulsado este botón durante más de 2 segundos para entrar en el modo de ajuste del reloj. Después ajuste el reloj con el mando giratorio MULTI JOG.

## **F** TUNING/MULTI JOG

En el modo AM o FM, gire este mando para sintonizar una emisora.

Este mando giratorio también se usa para ajustar la hora, cambiar los ajustes del temporizador, etc.

## **G** SLEEP

Use este botón para ajustar el temporizador de apagado.

## **H** RDS

Use este botón para seleccionar un modo de RDS mientras escucha una emisora de FM.

## **I** SNOOZE/DIMMER

Use este botón para poner la unidad en modo de reposo (standby) temporalmente y para atenuar la pantalla.

Cuando el temporizador encienda la unidad, pulse este botón para poner la unidad en reposo durante 5 minutos.

Este botón también se utiliza para cambiar el brillo de la pantalla.

## **J** PRESET

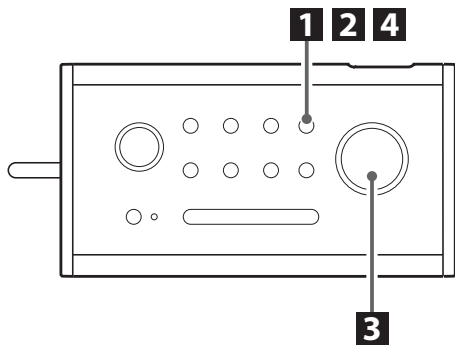
Use este botón para seleccionar un canal de presintonía.

## **K** FUNCTION (FM/AM/AUX)

Use este botón para seleccionar FM, AM o AUX.

Cuando se conecta un componente al terminal AUX IN jack, seleccione AUX para escuchar una fuente externa.

# Ajustar el reloj



- 1** Pulse y mantenga pulsado el botón MEMORY/CLOCK ADJ durante más de 2 segundos.

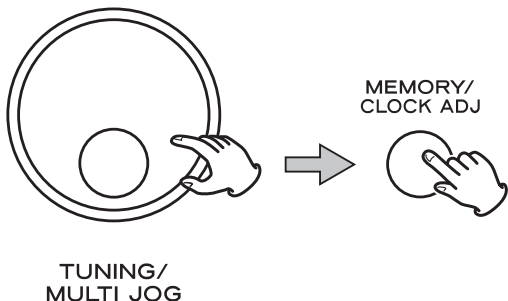
MEMORY/  
CLOCK ADJ



“Time Mode <24 Hours>” (modo horario 24 horas) aparece en la pantalla.

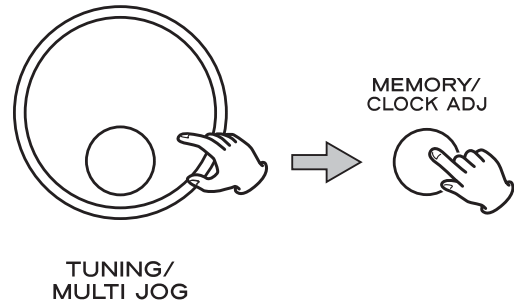
- Si no se pulsa ningún botón durante 10 segundos, el modo de ajuste del reloj será cancelado.

- 2** Si quiere cambiar el modo horario, gire el mando MULTI JOG para seleccionar el modo horario de 24 o 12 horas y después pulse el botón MEMORY/CLOCK ADJ.



El ajuste por defecto es “24 horas”.

- 3** Gire el mando MULTI JOG para ajustar la hora y luego pulse el botón MEMORY/CLOCK ADJ.



El reloj comienza desde el segundo 00.

- 4** Repita el paso 3 para ajustar el año, el mes y el día.

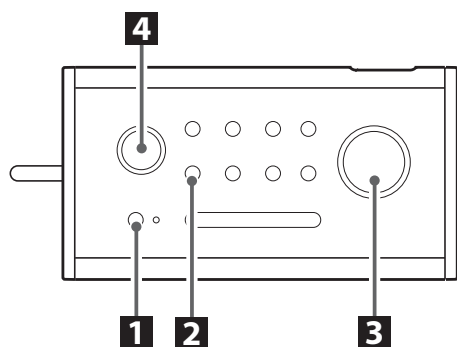
- Si la unidad se desconecta de la corriente durante aproximadamente una hora y las pilas están descargadas completamente, los ajustes del reloj y de los temporizadores se perderán.

## Ajustar el horario de ahorro de luz diurna (horario de verano/horario de invierno)

Pulse y mantenga pulsados los botones MEMORY/CLOCK ADJ y SLEEP al mismo tiempo para ajustar el horario de ahorro de luz diurna. El reloj avanzará una hora.

Para retrasar el reloj una hora, vuelva a pulsar y mantenga pulsados a la vez los botones MEMORY/CLOCK ADJ y SLEEP.

# Escuchar la radio



**1** Pulse el botón **STANDBY/ON** para encender la unidad.



Se apagará el indicador de reposo.

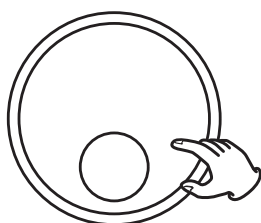
- La unidad se encenderá con la última fuente que fue seleccionada.

**2** Seleccione **FM o AM** usando el botón **FUNCTION**.

FUNCTION  
(FM/AM/AUX)



**3** Gire el mando **TUNING** para sintonizar una emisora.



TUNING/  
MULTI JOG

## Sintonización manual

Gire el mando **MULTI JOG** hasta que encuentre la emisora que desee escuchar. La frecuencia cambia en pasos fijos.

## Sintonización automática

Presione sobre el mando **MULTI JOG** para comenzar la sintonización automática.

Cuando encuentra una emisora, la unidad la sintoniza automáticamente.

Repita este paso hasta que encuentre la emisora que desee escuchar.

## Sintonización de presintonías

Pulse el botón **PRESET** repetidamente para seleccionar un canal de presintonía.

Se sintonizará el canal de presintonía seleccionado.

- Encontrará cómo presintonizar emisoras en la página 52.

**4** Gire el mando **VOLUME** para ajustar el volumen.



VOLUME

El nivel se puede ajustar desde 00 hasta 30.

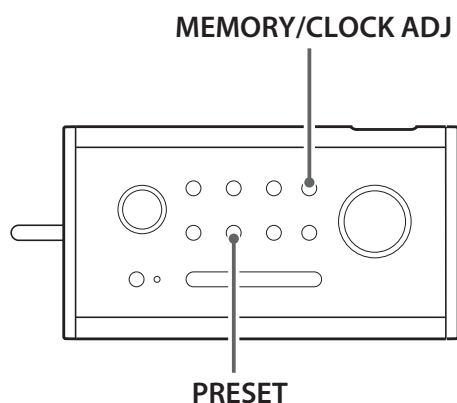
## Si la recepción de AM es pobre

Para conseguir la mejor recepción, cambie la orientación de la unidad o de la antena a ella conectada hasta que reciba las emisoras con claridad.

## Si la recepción de FM es pobre

Para conseguir la mejor recepción, gira la antena extensible hasta que las emisoras se reciban con claridad.

# Sintonización de presintonías



Se pueden almacenar hasta un total de 10 emisoras de FM y 10 de AM en la memoria.

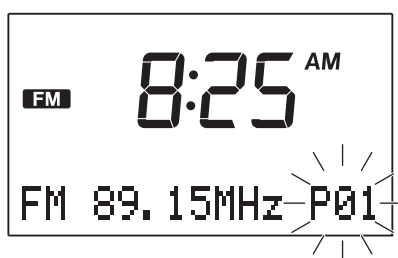
**1** Sintonice la emisora que desee escuchar (ver pasos **2** y **3** en la página 51).

**2** Pulse el botón MEMORY/CLOCK ADJ.

MEMORY/  
CLOCK ADJ



El indicador de presintonía "P" y un número de canal parpadearán en la pantalla.



**3** En los siguientes 5 segundos, seleccione una posición de presintonía donde almacenar la emisora pulsando el botón PRESET repetidamente.

PRESET



**4** En los siguientes 5 segundos, pulse el botón MEMORY/CLOCK ADJ.

MEMORY/  
CLOCK ADJ



La emisora queda almacenada en la memoria.

Repita los pasos **1** a **4** para almacenar otras emisoras.

## Cómo seleccionar las emisoras presintonizadas

Pulse el botón PRESET repetidamente hasta que encuentre la emisora presintonizada deseada.

PRESET

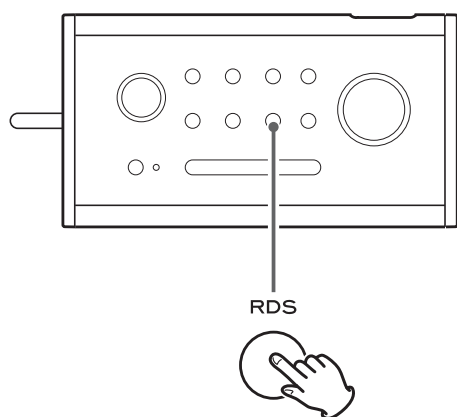


El Sistema de Datos por Radio (RDS) es un servicio de radiodifusión que permite a las emisoras enviar información adicional junto con la señal normal de los programas de radio.

**El sistema RDS solamente funciona en la banda de FM en Europa.**

**1 Sintonice una emisora de FM (ver página 51).**

**2 Pulse el botón RDS.**



Cada vez que se pulsa el botón RDS, el modo RDS cambia como sigue:

### Tipo de programa RDS (PTY)

Cuando se selecciona PTY, en la pantalla aparecerá el tipo de programa.

Si no hay datos PTY, en la pantalla aparecerá "NO PTY".

### Texto por radio RDS (RT)

Cuando se selecciona RT, en la pantalla aparecerá información transmitida por la emisora, hasta un máximo de 64 caracteres. Si no hay datos RT, en la pantalla aparecerá "NO TEXT".

### Datos horarios RDS (CT)

En la pantalla aparece la información horaria proporcionada por la emisora.

Cuando se selecciona RDS CT ("clock time"), en la pantalla aparecerán los datos horarios proporcionados por la emisora.

### Sistema RDS desactivado (pantalla normal)

El ajuste del reloj se hará automáticamente de acuerdo con los datos horarios CT.

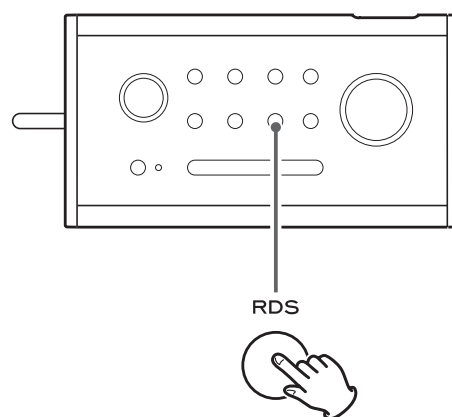
Si sintoniza una emisora RDS que emita datos horarios CT incorrectos, el reloj podría ajustarse mal y eso puede afectar eventualmente al funcionamiento del temporizador.

Cuando no quiera que el reloj de esta unidad se ajuste de acuerdo con los datos horarios CT, desactive el ajuste automático del reloj.

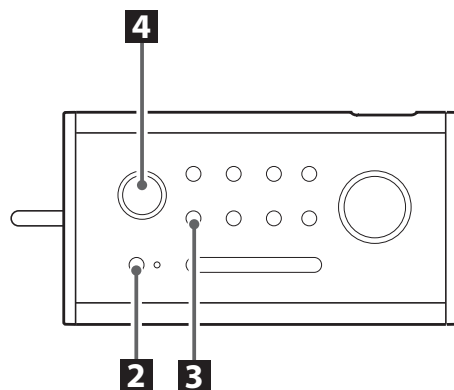
- Independientemente de cual sea el modo RDS seleccionado, la unidad recibe datos horarios CT y ajusta el reloj.

**Para activar y desactivar el ajuste automático del reloj, mantenga pulsado el botón RDS durante más de 2 segundos.**

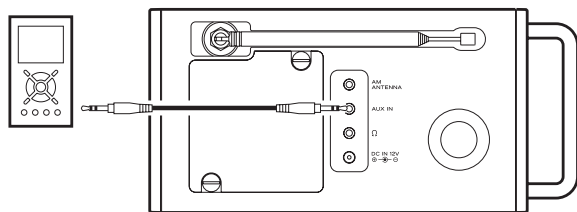
"CT ON" (activado) o "CT OFF" (desactivado) aparecerá brevemente en la pantalla.



# Escuchar una fuente externa



**1** Conecte la salida de auriculares (salida de audio) de un reproductor de audio portátil al terminal AUX IN de la R-5 usando el cable con mini jack estéreo suministrado.



**2** Pulse el botón **STANDBY/ON** para encender la unidad.



**3** Pulse repetidamente el botón **FUNCTION** para seleccionar AUX.

FUNCTION  
(FM/AM/AUX)



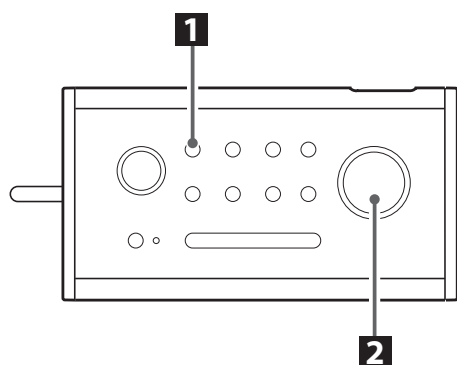
**4** Reproduzca la fuente y ajuste el volumen usando el mando **VOLUME** de la R-5 y del reproductor de audio.



VOLUME

Quando utilice la salida de auriculares de su mini reproductor externo, debe ajustar el volumen del mini reproductor o puede que no se oiga nada a través de la R-5.

## Control de tono



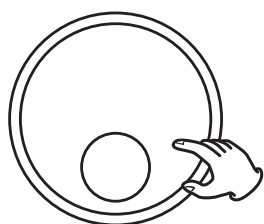
- 1** Pulse el botón **TONE** repetidamente para seleccionar el campo a ajustar.



Para ajustar el nivel de los sonidos graves, seleccione "Set bass".

Para ajustar el nivel de los sonidos agudos, seleccione "Set treble".

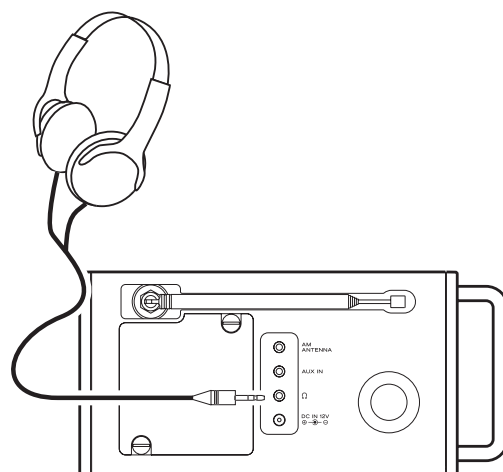
- 2** Gire el mando **MULTI JOG** para cambiar el ajuste.



TUNING/  
MULTI JOG

El nivel se puede ajustar desde -4 hasta +4.

## Auriculares



Introduzca el conector de los auriculares en el terminal de la salida de auriculares (Ω) y ajuste el volumen.

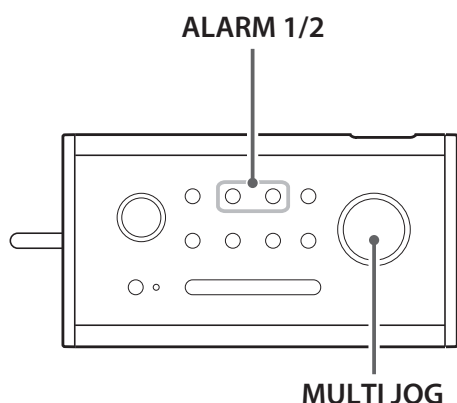
Cuando se reciba una emisora FM en estéreo, usted puede escuchar el sonido en estéreo conectando unos auriculares estéreo a la salida de auriculares.

También puede escuchar el sonido en estéreo de una fuente externa que esté conectada al terminal AUX IN.

### PRECAUCIÓN

Baje siempre el volumen antes de conectar unos auriculares, PARA EVITAR LESIONES EN SUS OÍDOS. No se ponga los auriculares hasta que los haya conectado.

# Temporizador (1)

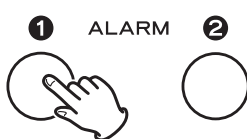


- La unidad se puede programar para encenderse a una hora determinada. La unidad se apagará 60 minutos después de la hora de encendido especificada.
- La unidad puede almacenar 2 ajustes de temporizador en la memoria.
- Ajuste el reloj antes de ajustar el temporizador.

El proceso que se describe a continuación es para ajustar ALARM 1.

Siga el mismo proceso para ajustar ALARM 2.

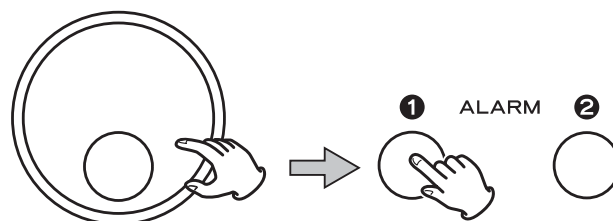
## 1 Pulse y mantenga pulsado el botón ALARM 1 durante más de 2 segundos.



“Set alarm <Off>” (ajustar alarma <desconectada>) aparece en la pantalla.

- Si no se pulsa ningún botón en 10 segundos, el modo de ajuste del temporizador se cancelará.

## 2 Gire el mando MULTI JOG para seleccionar <ON> (conectada) y luego pulse el botón ALARM 1.



TUNING/  
MULTI JOG

## 3 Gire el mando MULTI JOG para ajustar la hora de comienzo y después pulse el botón ALARM 1.

## 4 Gire el mando MULTI JOG para seleccionar una fuente de sonido (FM, AM o Buzzer) y luego pulse el botón ALARM 1.

- No puede seleccionar “AUX”.
- Si selecciona Buzzer (timbre), vaya al paso **7**.

## 5 Si selecciona FM o AM en el paso **4**, sintonice una emisora usando el mando MULTI JOG para seleccionar <FREQ> o <PRESET> y luego pulse el botón ALARM 1.

## 6 Gire el mando MULTI JOG para seleccionar una frecuencia o una emisora presintonizada y luego pulse el botón ALARM 1.

## 7 Fije el volumen usando el mando MULTI JOG y luego pulse el botón ALARM 1.

También puede dejar la unidad inactiva durante 10 segundos en vez de pulsar el botón ALARM. En este caso, el volumen se fija en 15 automáticamente.



El ajuste del temporizador ha terminado y el temporizador está conectado. Se enciende el indicador ALARM 1.

**8 Pulse el interruptor STANDBY/ON para apagar la unidad poniéndola en reposo (standby).**



**No olvide apagar la unidad poniéndola en reposo (standby) o el temporizador no funcionará.**

- Si la unidad se desconecta de la corriente durante aproximadamente una hora y las pilas están descargadas completamente, los ajustes del reloj y de los temporizadores se perderán.

**En caso de que ALARM 2 se solape con ALARM 1:**

**Ejemplo:**

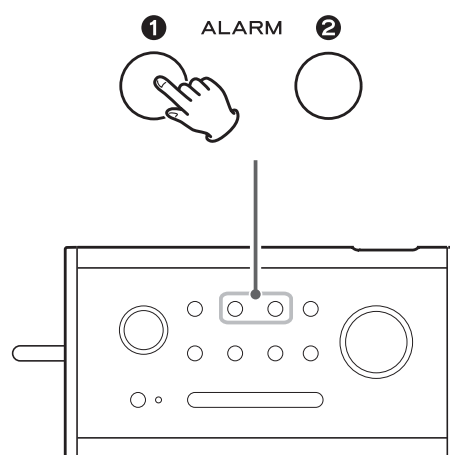
ALARM 1 (hora de comienzo: 7:00, fuente: FM)

ALARM 2 (hora de comienzo: 7:30, fuente: AM)

**Si los ajustes del temporizador se solapan, la fuente cambia automáticamente a la siguiente fuente especificada cuando se alcanza la hora del segundo ajuste.**

En el caso del ejemplo anterior, la unidad se enciende a las 7:00 con el sintonizador de FM seleccionado y después la fuente cambia a AM a las 7:30. La unidad se apagará a las 8:30.

## Comprobar los ajustes del temporizador

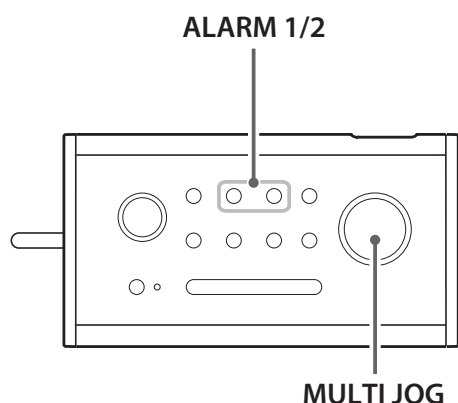


Pulse el correspondiente botón ALARM (1 o 2) para comprobar los ajustes del temporizador. Los ajustes se mostrarán en pantalla uno por uno.

- Esta función no estará operativa si no hay ningún ajuste guardado en la memoria.
- Para salir del modo de comprobación, pulse el botón ALARM repetidamente hasta que la pantalla vuelva al modo normal o deje la unidad sin hacer nada durante unos 10 segundos.

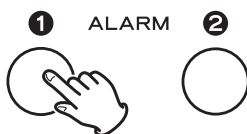
## Temporizador (2)

### Conectar y desconectar el temporizador



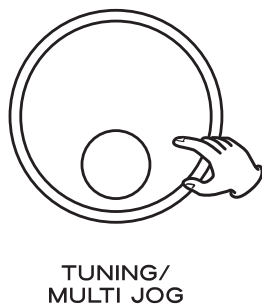
Después de ajustar el temporizador, puede conectarlo o desconectarlo

- 1 Pulse y mantenga pulsado el botón ALARM (1 o 2) durante más de 2 segundos.**



"Set alarm <Off>" (ajustar alarma <desconectada>) o "Set alarm <On>" (ajustar alarma <conectada>) aparece en la pantalla.

- 2 Gire el mando MULTI JOG para seleccionar <On> (conectada) u <Off> (desconectada).**



- 3 Pulse el botón ALARM.**



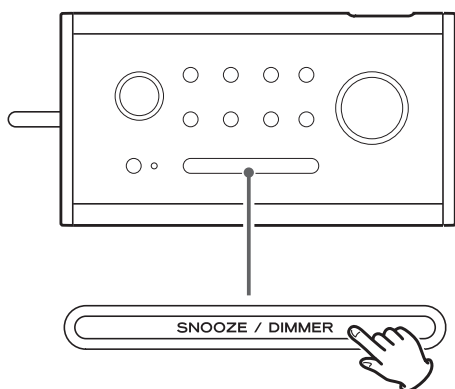
Cuando el temporizador está conectado, el indicador "Alarm (1 o/y 2)" se enciende.

Asegúrese de pulsar el mismo botón de alarma que en el paso **1**.

## Interrupción (función “Snooze”)

Usted puede poner la unidad en reposo (standby) temporalmente después de que el temporizador haya encendido la unidad.

Pulse el botón SNOOZE/DIMMER.



El indicador SNOOZE y ALARM parpadearán en la pantalla y la unidad entrará en modo de reposo (standby).

Después de 5 minutos, la unidad se volverá a encender.

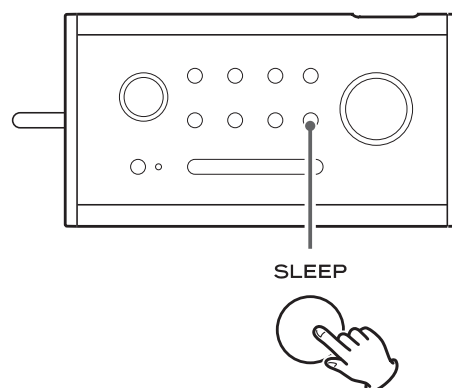
Puede utilizar esta función repetidamente hasta un total de 60 minutos.

- Pulse el botón STANDBY/ON para detener esta función.

## Temporizador de apagado

La unidad puede apagarse poniéndose en reposo (standby) después de una cantidad de tiempo especificada.

Pulse el botón SLEEP repetidamente hasta que la hora deseada aparezca en la pantalla.



### **SLEEP 90, 60, 45, 30 o 15:**

La unidad se pondrá en reposo 90, 60, 45, 30 o 15 minutos más tarde.

### **Pantalla normal:**

El temporizador de apagado está desconectado

- La pantalla se atenúa automáticamente cuando el temporizador de apagado está conectado.

### **Comprobación del tiempo que queda**

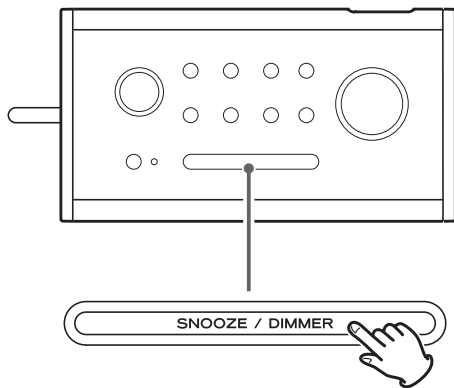
Pulse una vez el botón SLEEP.

El tiempo que queda aparecerá en pantalla durante 5 segundos y después volverá a la pantalla normal.

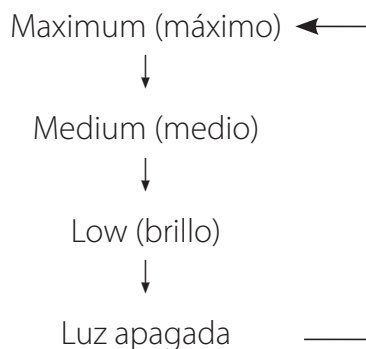
## Atenuador de pantalla

Se puede ajustar el brillo de la pantalla.

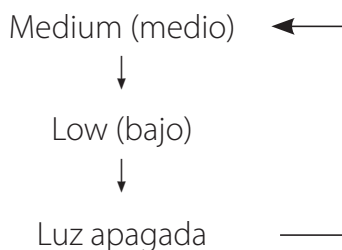
Pulse el botón SNOOZE/DIMMER para ajustar el brillo de la pantalla.



El brillo de la pantalla cambia como sigue:  
**Cuando la R-5 se usa con el adaptador de corriente:**



**Cuando la R-5 se utiliza con las pilas:**



## Solución de posibles fallos

Si tiene problemas con su equipo, lea esta sección e intente resolver el problema usted mismo antes de llamar a su distribuidor o a un servicio técnico TEAC.

**El indicador de encendido en reposo (standby) no se enciende.**

- ➔ Cuando la unidad está utilizándose con la alimentación de las pilas, el indicador no se ilumina para ahorrar pilas.

**No hay corriente**

- ➔ Si las pilas están descargadas, conecte el adaptador de corriente para recargarlas.
- ➔ Compruebe la conexión a la corriente. Compruebe que la toma de corriente no sea un enchufe con un interruptor. Si lo es, confirme que el interruptor está encendido. Confirme que llega corriente al enchufe conectando en él otro aparato como por ejemplo una lámpara o un ventilador.

**No hay sonido**

- ➔ Encienda la unidad y ajuste el volumen.
- ➔ Seleccione la fuente de sonido pulsando el botón FUNCTION.
- ➔ Desconecte los auriculares del terminal de la salida de auriculares.

**El sonido tiene ruidos.**

- ➔ La unidad está demasiado cerca de una TV o aparato similar. Póngala lo más lejos posible del aparato causante de las interferencias o apáguelo. Pruebe también con una toma de electricidad diferente o utilice la R-5 con la alimentación de las pilas para comprobar si el ruido procede de la conexión a la red eléctrica.

## Especificaciones

### No se oye ninguna emisora o la señal es demasiado débil.

- ➔ Sintonice la emisora correctamente.
- ➔ Para recepción de emisoras AM:
  - Cuando utilice la unidad en exteriores, gírela para conseguir mejor recepción.
  - Cuando utilice la unidad en interiores, conecte la antena de bucle suministrada.
- ➔ Para la recepción de emisoras de FM, extienda la antena telescópica y gírela hasta conseguir la mejor recepción posible.

### El temporizador no funciona.

- ➔ No olvide apagar la unidad poniéndola en reposo (standby) (ver página 56).
- ➔ Ponga la alarma en <On> (conectada) (ver página 58).

### Si no se puede restablecer el funcionamiento normal de la unidad, quite el pack de pilas y desconecte el adaptador de corriente, espere un rato y después vuelva a instalar el pack de pilas y a conectar el adaptador de corriente.

### Rango de frecuencias

FM .....	87.50 MHz a 108.00 MHz
	(pasos de 50 kHz)
AM.....	530 kHz a 1,710 kHz
	(pasos de 10 kHz)

### Altavoz

Tipo.....	65 mm
Impedancia .....	6 ohms

### General

Salida de potencia.....	1.5 W
Alimentación (adaptador de corriente)	230 V, 50 Hz
Consumo de corriente. ...	5 W (funcionando)
	15 W (durante la carga)
Dimensiones (An x Al x Pro)	240 x 130 x 122 mm
Peso.....	1.2 kg (incluyendo las pilas)

### Accesorios de serie

Adaptador de corriente x	1
Antena de bucle de AM para interior x	1
Cable de mini jack estéreo x	1
Manual del usuario x	1
Tarjeta de garantía x	1

- El diseño y las especificaciones están sujetas a cambios sin previo.
- Las ilustraciones pueden diferir ligeramente de los modelos de producción.

## Para consumidores europeos

### Información para consumidores sobre recogida y eliminación de equipos viejos y pilas usadas

Los siguientes símbolos en los productos, embalajes y/o documentos que los acompañan significan que los productos eléctricos y electrónicos y las pilas no deben mezclarse con la basura doméstica. Para que los productos viejos y las pilas usadas reciban un tratamiento de recuperación y reciclaje adecuado, por favor llévelos a los puntos de recogida pertinentes, de acuerdo con la legislación de su país y las Directivas Europeas 2002/96/EC y 2006/66/EC.

Deshaciéndose correctamente de estos productos y de las pilas, usted contribuye a conservar recursos valiosos y a prevenir cualquier efecto negativo potencial sobre la salud humana y el medio ambiente que podrían derivarse de una gestión incorrecta de estos residuos.

Para más información sobre la recogida y el reciclaje de productos viejos y pilas usadas, por favor contacte con su ayuntamiento, con el servicio local de recogida de basuras o con el punto de venta donde los adquirió.

### Información sobre cómo deshacerse de estos productos en otros países fuera de la Unión Europea

Estos símbolos solamente son válidos en la Unión Europea. Si desea deshacerse de estos productos, por favor contacte con las autoridades locales o con su distribuidor e infórmese del método adecuado para ello.

### Nota para el símbolo de las pilas (los 2 ejemplos de símbolos abajo a la derecha):

Este símbolo podría utilizarse junto a un símbolo químico. En tal caso cumple con lo dispuesto por la Directiva para cuando hay elementos químicos involucrados.



**Danke, dass Sie sich für ein TEAC-Produkt entschieden haben. Bitte lesen Sie diese Anleitung sorgfältig durch, um die Leistung des R-5 optimal nutzen zu können.**

Vor Inbetriebnahme.....	64
Das Akku-Pack .....	64
Anschlüsse .....	66
Bedienelemente und deren Funktion ...	68

Einstellen der Uhrzeit .....	70
------------------------------	----

Radiobetrieb.....	71
Sendersuche.....	72
RDS .....	73

Wiedergabe externer Signalquellen ....	74
Klangregelung.....	75
Kopfhörer .....	75

Timer.....	76
Einschlaf timer .....	79
Dimmer .....	80

Hilfe bei Funktionsstörungen.....	80
Technische Daten.....	81

- Setzen Sie den R-5 nicht Tropf- oder Spritzwasser aus.
- Stellen Sie keine Vasen oder andere Gefäße, die mit Flüssigkeiten gefüllt sind, auf den R-5.
- Installieren Sie den R-5 nicht in geschlossenen Regalsystemen oder ähnlichen Möbelstücken.
- Der R-5 bezieht auch dann einen geringen Ruhestrom aus dem Netz, wenn sich der POWER- oder STANDBY/ON-Schalter nicht in der ON-Position befindet.
- Der Betriebsort des R-5 sollte in der Nähe der Wandsteckdose sein, so dass Sie jederzeit den Netzstecker erreichen.
- Achten Sie darauf, dass Netzstecker und -kabel stets in einwandfreiem Zustand sind.
- Falls in diesem Produkt Batterien (das Akku-Pack oder austauschbare Trockenbatterien) verwendet werden, dürfen diese nicht direkter Sonne, Feuer oder großer Hitze ausgesetzt sein.
- Achten Sie bei Verwendung von Ohr- oder Kopfhörern auf gehörrichtige Wiedergabelautstärke. Zu hohe Schalldruckpegel von Ohr- oder Kopfhörern können Hörschäden oder Hörverlust verursachen.

## Vor Inbetriebnahme

- Achten Sie darauf, dass um den R-5 stets ausreichend Raum zur Luftzirkulation vorhanden ist, da sich der R-5 während des Betriebs erwärmen kann.
- Die Spannung, mit der der SR-80i betrieben wird, sollte den Angaben auf dem Netzadapter entsprechen. Kontaktieren Sie im Zweifelsfall einen Elektrofachmann.
- Wählen Sie einen Aufstellungsort, an dem der R-5 nicht direkter Sonne oder anderen Wärmequellen ausgesetzt ist. Vermeiden Sie auch Betriebsorte mit erhöhtem Staubaufkommen oder solche, die Erschütterungen, Hitze, Kälte sowie Feuchtigkeit ausgesetzt sind.
- Stellen Sie den R-5 nicht auf einen Verstärker, Receiver oder Geräte, die Hitze erzeugen.
- Öffnen Sie nicht das Gehäuse, da dies Schäden an der Elektronik oder einen Stromschlag verursachen kann. Falls ein Fremdkörper ins Geräteinnere eingedrungen ist, kontaktieren Sie Ihren Fachhändler oder ein autorisiertes Service-Unternehmen.
- Achten Sie beim Ziehen des Netzsteckers darauf, dass Sie stets am Stecker ziehen und niemals am Kabel.
- Bewahren Sie diese Bedienungsanleitung an einem sicheren Ort auf, um jederzeit Etwas darin nachlesen zu können.

## Pflege- und Wartungshinweis

Falls die Gehäuseoberfläche des R-5 verschmutzt ist, verwenden Sie zum Reinigen ein weiches Tuch oder milde Seifenlösung. Entfernen Sie mögliche Flüssigkeitsrückstände. Verwenden Sie niemals Verdünner oder Alkohol, da dies die Gehäuseoberfläche des R-5 beschädigen könnte. Achten Sie darauf, dass die Gehäuseoberfläche vor der erneuten Inbetriebnahme komplett trocken ist.

## Das Akku-Pack

Der R-5 kann mit dem im Batteriefach befindlichen Nickel-Metall-Hydrid Akku-Pack betrieben werden. Lassen Sie den Netzadapter am R-5 und am Spannungsnetz angeschlossen, um sicher zu stellen, dass die Akkus vollständig geladen sind, wenn Sie den R-5 im Akkubetrieb verwenden möchten. Mit vollständig geladenem Akku-Pack kann der R-5 (bei Lautstärkewert „20“) bis zu fünf Stunden betrieben werden.

- Bei ausgeschaltetem R-5 dauert ein kompletter Ladezyklus ungefähr 3,5 Stunden.
- Bei eingeschaltetem R-5 dauert ein kompletter Ladezyklus ungefähr 24 Stunden.
- Im Auslieferungszustand oder wenn der R-5 über einige Wochen nicht verwendet wurde, benötigen die Akkus zum Erlangen der vollen Leistung bis zu vier komplette Lade- und Entladezyklen.

Es wird empfohlen, den R-5 vor der ersten Inbetriebnahme ungefähr zwölf Stunden am Netz anzuschließen.

- Stellen Sie die Netzverbindung nach vorherigem Trennen nicht direkt wieder her, wenn das Akku-Pack vollständig geladen ist und sich der R-5 im STANDBY-Modus befand. Dies startet den Ladevorgang erneut, obwohl das Akku-Pack bereits vollständig geladen ist. Bei wiederholter Nichtbeachtung nehmen die Akkus Schaden.
- Wenn der R-5 nicht mit dem Stromnetz verbunden ist, entladen sich die Akkus langsam.
- Wiederholtes Laden des Nickel-Metall-Hydrid Akku-Packs vermindert dessen Kapazität. Zur Vermeidung dieses sogenannten „Memoryeffekts“ sollten die Akkus von Zeit zu Zeit vollständig entladen werden. Trennen Sie hierzu den Netzadapter vom Stromnetz. Lassen Sie den R-5 eingeschaltet, bis er sich automatisch ausschaltet oder verwenden Sie die Akkus einige Wochen nicht.

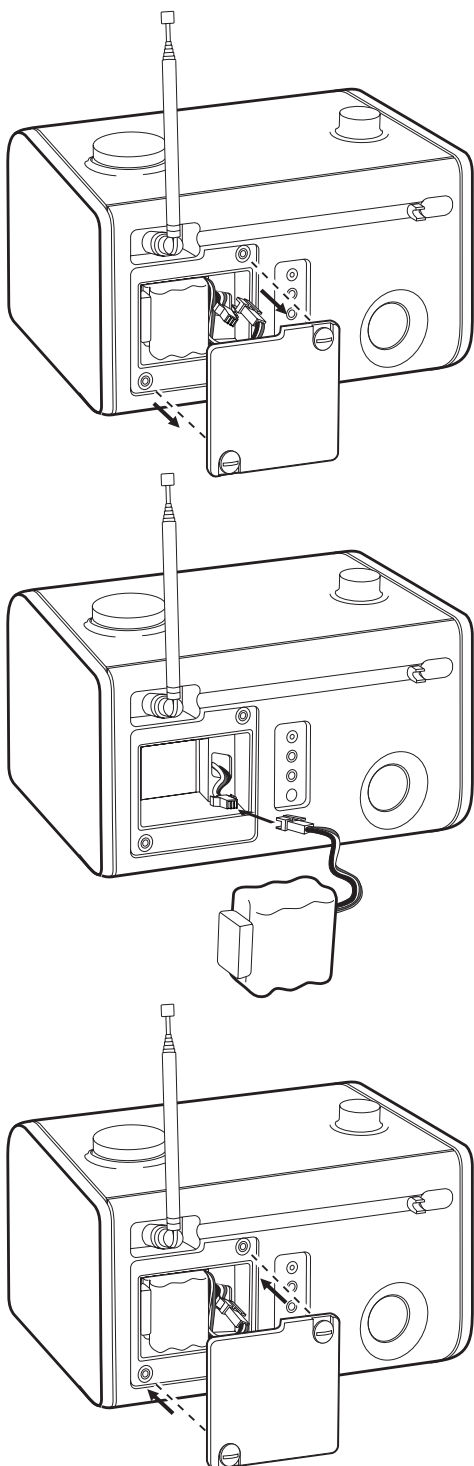


## Anschließen des Akku-Packs

Zur Vermeidung von Entladung ist das Akku-Pack bei Auslieferung nicht angeschlossen.

Schließen Sie das Akku-Pack an, bevor Sie den R-5 zum ersten Mal in Betrieb nehmen.

1. Entfernen Sie die Batteriefachabdeckung.
2. Schließen Sie das Akku-Pack an.
3. Verschließen Sie das Batteriefach.



## Austauschen des Akku-Packs

Ersetzen Sie das Akku-Pack durch ein frisches, wenn die Akkus verbraucht sind.

1. Entfernen Sie die Batteriefachabdeckung.
2. Trennen Sie den Stecker des Akku-Packs und nehmen Sie die Akkus aus dem Batteriefach.
3. Schließen Sie ein frisches Akku-Pack an und setzen Sie es ein.
4. Verschließen Sie das Batteriefach.

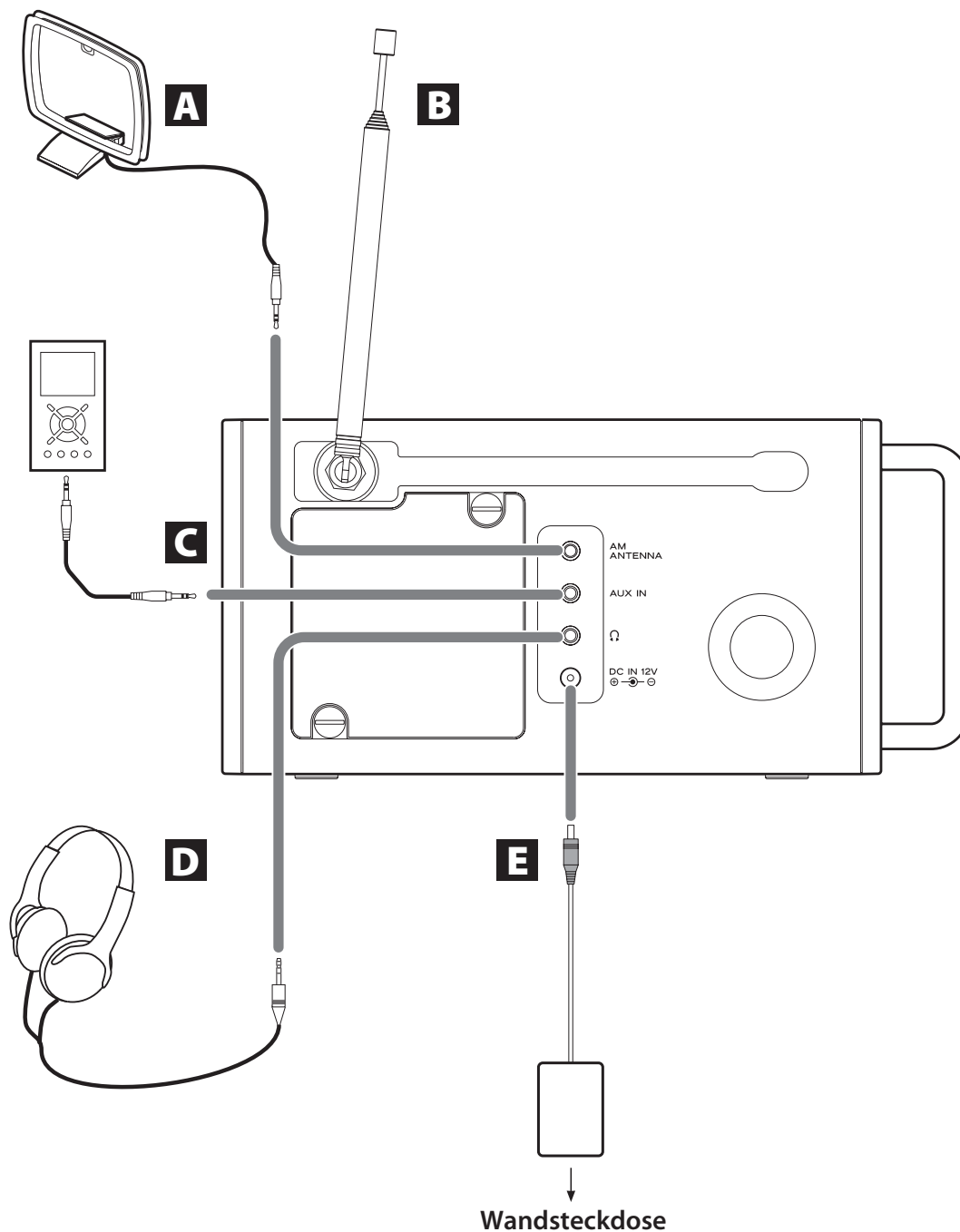
### ⚠ **Achtung:**

- Erhitzen oder zerlegen Sie wiederaufladbare Batterien nicht und entsorgen Sie Batterien nicht, indem Sie sie verbrennen oder in ein Gewässer werfen.

# Anschlüsse

## ACHTUNG:

- Schalten Sie den R-5 aus, bevor Sie externe Komponenten daran anschließen.
- Lesen und beachten Sie die Hinweise in den Bedienungsanleitungen aller Komponenten, die Sie am R-5 betreiben möchten.
- Achten Sie auf korrekten, sicheren Anschluss. Vermeiden Sie Brummen und Rauschen, indem Sie Kabel nicht bündeln oder parallel zueinander verlegen.

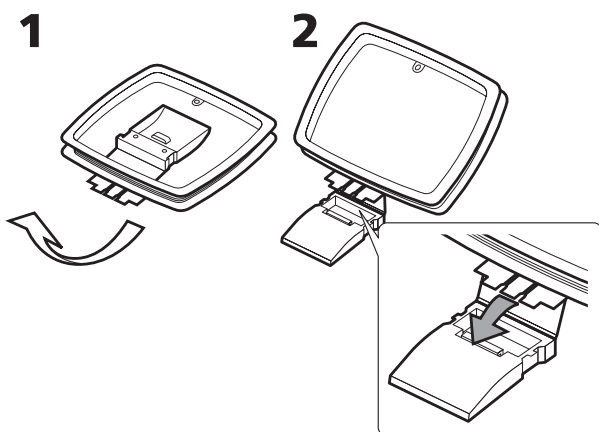


## **A** MW (AM) Rahmenantenne

Der R-5 besitzt eine interne MW (AM) Antenne. Wenn Sie den R-5 in Innenräumen benutzen, ist allerdings die Verwendung der Rahmenantenne empfehlenswert.

### **Aufstellen der Rahmenantenne**

Rasten Sie die Befestigungsklammer im dafür vorgesehenen Schlitz des Antennenstandfußes ein, um die Antenne auf einer ebenen Fläche aufzustellen.



Schließen Sie die Rahmenantenne am AM-Antennenanschluss an.

Stellen Sie die Antenne beispielsweise auf ein Regal oder ans Fenster und richten Sie sie in der Richtung aus, in der Sie beste Empfangsergebnisse erzielen.

## **B** UKW (FM) Teleskopantenne

Ziehen Sie die Teleskopantenne vollständig aus und richten Sie sie auf beste Empfangsqualität aus.

## **C** AUX IN-Buchse

Diese Buchse dient beispielsweise zum Anschließen eines portablen Audio-Players. Verwenden Sie das mitgelieferte Stereo-Miniklinkenkabel, um LINE OUT oder PHONES des Players hier anzuschließen.

Korrigieren Sie, bei Verwendung des Kopfhöreranschlusses den Wiedergabepegel am externen Gerät. Andernfalls wird das Signal über den R-5 nicht wiedergegeben.

- Zu hohe Wiedergabepegel des externen Geräts können beim R-5 zu Verzerrungen führen. Reduzieren Sie in diesem Fall den Wiedergabepegel der externen Komponente, bis beim R-5 keine Verzerrungen mehr zu hören sind. Stellen Sie anschließend die gewünschte Wiedergabelautstärke mittels VOLUME-Drehregler des R-5 ein.

## **D** PHONES

An dieser Buchse können Sie einen Kopfhörer anschließen, dessen Lautstärke Sie mittels VOLUME-Drehregler des R-5 regeln.

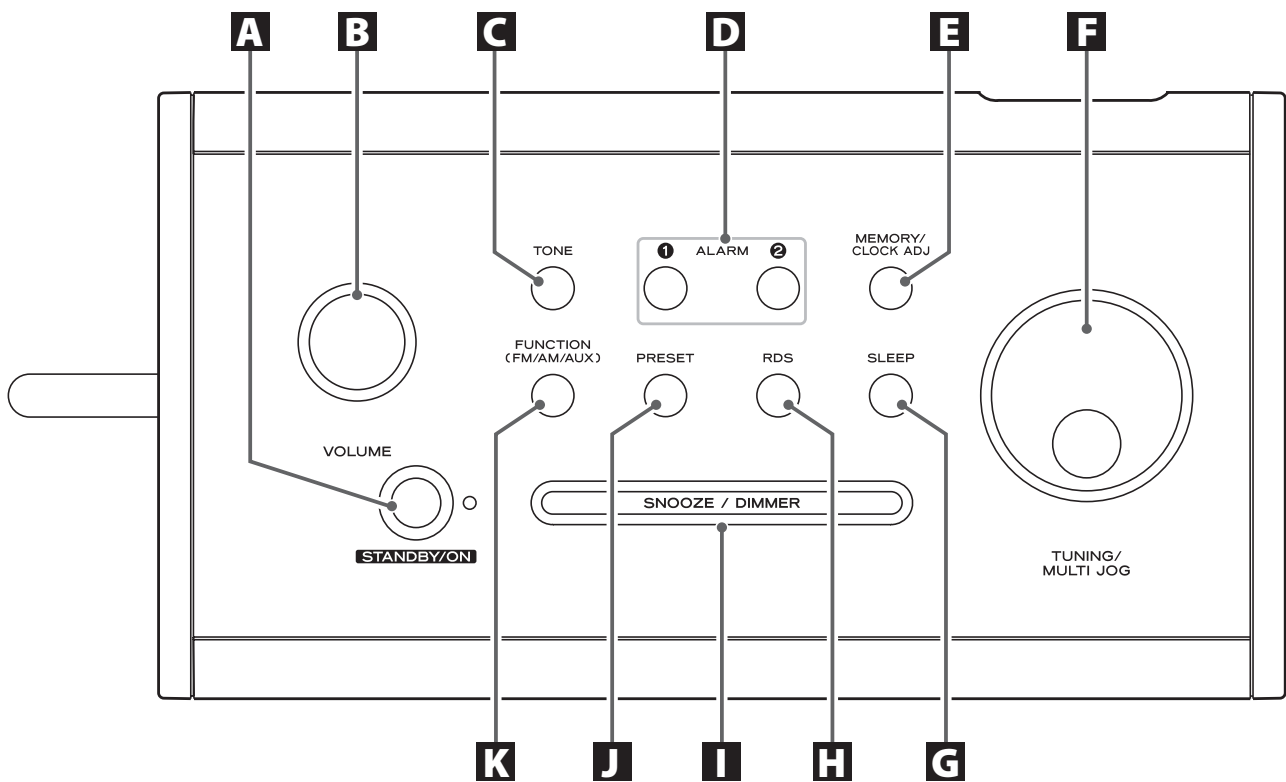
- Sofern eine UKW-Sendung in Stereo empfangen wird, wird sie auch über Kopfhörer in Stereoqualität wiedergegeben.

## **E** DC IN

Verbinden Sie den mitgelieferten Netzadapter mit dieser Buchse und anschließend den Netzstecker mit einer Wandsteckdose.

- ⚠ Verwenden Sie ausschließlich den zum Lieferumfang gehörenden Netzadapter. Andernfalls riskieren Sie Schäden durch Brand, Stromschlag, usw. Vergewissern Sie sich vor dem Anschließen des Netzadapters stets, dass die verwendete Wandsteckdose, die korrekte Spannung liefert.

# Bedienelemente und deren Funktion



## **A** **STANDBY/ON**

Durch Betätigen dieser Taste schalten Sie den R-5 ein oder versetzen ihn in Betriebsbereitschaft (Standby).

Die Anzeige leuchtet, wenn sich der R-5 in Betriebsbereitschaft befindet und der Netzadapter angeschlossen ist. Bei Akkubetrieb leuchtet die Anzeige nicht, wodurch sich die Akkulebensdauer verlängert.

## **B** **VOLUME**

Dieser Drehregler dient zum Einstellen der Wiedergabelautstärke.

## **C** **STONE**

Verwenden Sie diese Taste zusammen mit dem MULTI JOG Dial zur Klangregelung.

## **D** **ALARM 1/2**

Mittels dieser Tasten programmieren Sie die Timerfunktion.

## **E** **MEMORY/CLOCK ADJ**

Diese Taste dient zum Speichern von Empfangsfrequenzen in Senderspeicherplätzen (Presets) sowie zum Einstellen der internen Uhr.

Betätigen Sie die Taste zum Aufrufen der Uhrzeiteinstellung länger als zwei Sekunden. Programmieren Sie anschließend die Uhrzeit mittels MULTI JOG Dial.

## **F** **TUNING/MULTI JOG**

Bei MW- (AM) oder UKW- (FM) Wiedergabe suchen Sie mittels dieses Drehreglers den gewünschten Sender.

Das MULTI JOG Dial dient ebenfalls zum Einstellen der Uhrzeit, Ändern der Timereinstellungen, usw.

## **G** **SLEEP**

Mittels dieser Taste programmieren Sie den Einschlaf timer.

## **H** **RDS**

Mittels dieser Taste wählen Sie bei Wiedergabe einer UKW-Sendung die RDS-Betriebsart.

## **I** **SNOOZE/DIMMER**

Diese Taste aktiviert die Schlummerfunktion oder dient zum Wählen der Display-Helligkeit.

Sofern der R-5 mittels Timer eingeschaltet wurde, versetzen Sie ihn mittels dieser Taste für jeweils fünf Minuten in den Schlummermodus.

Mittels dieser Taste können Sie auch die Display-Helligkeit wählen.

## **J** **PRESET**

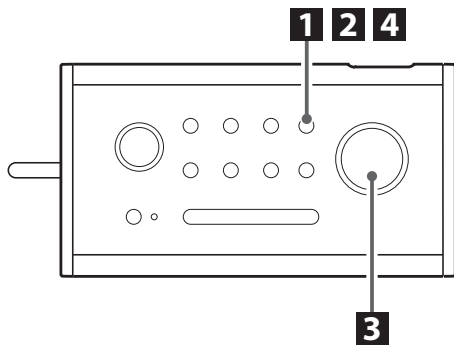
Diese Taste dient zum Aufrufen eines Sender-Presets.

## **K** **FUNCTION (FM/AM/AUX)**

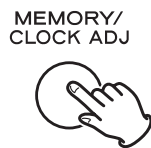
Mittels dieser Taste wählen Sie „FM“, „AM“ oder „AUX“.

Wählen Sie „AUX“, um des Signal einer an AUX IN angeschlossenen, externen Komponente wiederzugeben.

# Einstellen der Uhrzeit



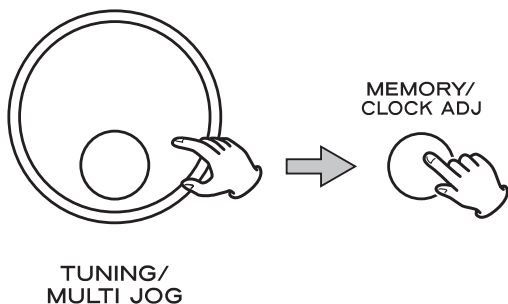
## 1 Betätigen Sie die MEMORY/CLOCK ADJ-Taste länger als zwei Sekunden.



„Time Mode <24 Hours>“ wird angezeigt.

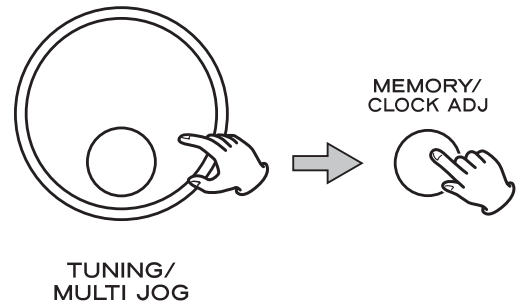
- Die Uhrzeiteinstellung wird abgebrochen, falls innerhalb von zehn Sekunden keine Taste betätigt wird.

## 2 Durch Drehen des MULTI JOG Dial können Sie 24- oder 12-Stundenanzeige wählen, Betätigen Sie anschließend die MEMORY/CLOCK ADJ-Taste.



Im Auslieferungszustand ist der R-5 auf 24-Stundenanzeige eingestellt.

## 3 Stellen Sie mittels MULTI JOG Dial die aktuelle Uhrzeit ein und betätigen Sie anschließend die MEMORY/CLOCK ADJ-Taste.



Die aktuelle Uhrzeit wird beginnend mit einem Sekundenwert von „00“ angezeigt.

## 4 Wiederholen Sie den Bedienschritt 3, um „Jahr“, „Monat“ sowie „Tag“ zu programmieren.

- Falls der R-5 vom Netz getrennt ist und die Akkus bereits eine Stunde komplett entladen sind, gehen die gespeicherten Uhrzeit- und Timereinstellungen verloren.

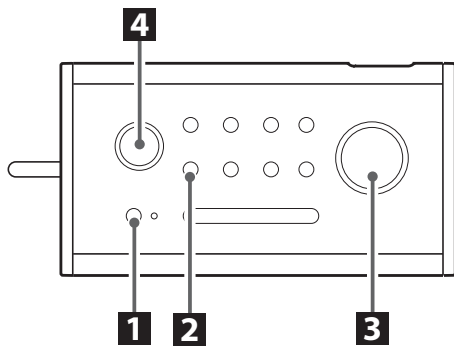
## Einstellen der Sommerzeit

Betätigen Sie zum Einstellen der Sommerzeit gleichzeitig die MEMORY/CLOCK ADJ- und die SLEEP-Taste.

Die Uhr wird um eine Stunde vorgestellt.

Durch erneutes gleichzeitiges Betätigen der MEMORY/CLOCK ADJ- und der SLEEP-Taste wird die Uhr wieder auf normale Zeitanzeige zurückgestellt.

# Radiobetrieb



## 1 Schalten Sie den R-5 mittels STANDBY/ON-Taste ein.



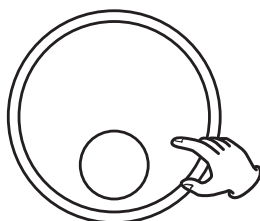
Die Standby-Anzeige erlischt.

- Nach dem Einschalten wird die zuletzt gewählte Signalquelle erneut wiedergegeben.

## 2 Wählen Sie mittels FUNCTION-Taste UKW (FM) oder MW (AM).



## 3 Stellen Sie mittels TUNING-Drehregler die Empfangsfrequenz des gewünschten Senders ein.



TUNING/  
MULTI JOG

### Manuelle Sendersuche

Suchen Sie durch Drehen am MULTI JOG Dial den gewünschten Sender.

Die Frequenz ändert sich hierbei jeweils um einen festen Schrittwert.

### Automatische Sendersuche

Drücken Sie zum Starten des automatischen Sendersuchlaufs auf das MULTI JOG Dial.

Sobald ein Sender gefunden wurde, endet die Suche und das Programm wird wiedergegeben.

Wiederholen Sie diese Vorgehensweise, bis der gewünschte Sender gefunden ist.

### Aufrufen von Sender-Presets

Betätigen Sie zum Aufrufen des gewünschten Senderspeicherplatzes wiederholt die PRESET-Taste.

Der gewählte Sender wird eingestellt.

- Informationen zum Belegen der Senderspeicherplätze finden Sie auf Seite 72.

## 4 Stellen Sie mittels VOLUME-Drehregler die gewünschte Wiedergabelautstärke im Bereich von „00“ bis „30“ ein.



VOLUME

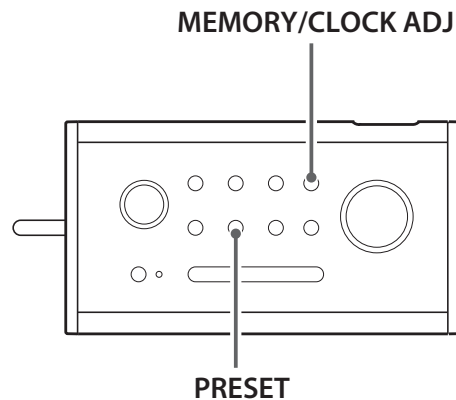
### Bei eingeschränktem MW-Empfang

Verändern Sie die Position des R-5 und richten Sie die Rahmenantenne auf beste Empfangsqualität aus.

### Bei eingeschränktem UKW-Empfang

Richten Sie die Teleskopantenne auf beste Empfangsqualität aus.

# Sendersuche



Der R-5 kann bis zu 10 UKW- und 10 MW-Sender speichern.

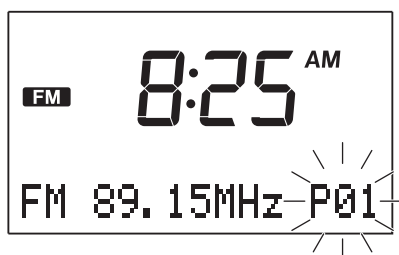
**1** Stellen Sie den gewünschten Sender ein (siehe Bedienschritte **2** und **3** auf Seite 71).

**2** Betätigen Sie die MEMORY/CLOCK ADJ-Taste.

MEMORY/  
CLOCK ADJ



Die PRESET-Anzeige und eine Preset-Nummer blinken im Display.



**3** Betätigen Sie zum Auswählen des gewünschten Senderspeicherplatzes innerhalb von fünf Sekunden wiederholt die PRESET-Taste.

PRESET



**4** Betätigen Sie innerhalb von fünf Sekunden die MEMORY/CLOCK ADJ-Taste.

MEMORY/  
CLOCK ADJ



Der Sender wurde gespeichert.

Wiederholen Sie zum Programmieren weiterer Presets die Bedienschritte **1** bis **4**.

## Auswählen von Sender-Presets

Betätigen Sie wiederholt die PRESET-Taste, bis die gewünschte Preset-Nummer angezeigt wird.

PRESET



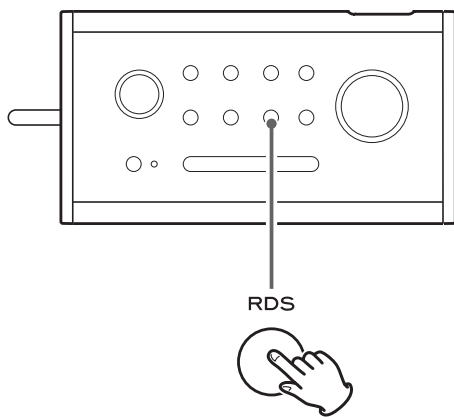


RDS (Radio Data System) ist ein Service, der es Rundfunkanstalten erlaubt, zusätzliche Informationen zusammen mit dem Radioprogramm auszustrahlen.

**Der RDS-Dienst wird nur in Europa und nur von UKW-Sendeanstalten angeboten.**

**1 Stellen Sie einen UKW-Sender ein (siehe Seite 71).**

**2 Betätigen Sie die RDS-Taste.**



Bei jedem Betätigen der RDS-Taste wechselt der RDS-Modus, wie folgt:

### RDS Programtyp (PTY)

Bei Auswahl von PTY wird der jeweilige Programmtyp angezeigt.

Wenn keine PTY-Daten verfügbar sind, erscheint die Meldung „NO PTY“ im Display.

### RDS Radiotext (RT)

Bei Auswahl von RT wird ein bis zu 64 Zeichen langer Lauftext, der von der gewählten Radiostation übermittelt wird, im Display angezeigt.

Falls keine RT-Daten verfügbar sind, erscheint die Meldung „NO RT“ im Display.

### RDS Uhrzeit (CT)

Die von der Radiostation übermittelten Zeitdaten werden angezeigt.

Falls keine CT-Daten verfügbar sind, erscheint die Meldung „NO CT“ im Display.

### RDS aus (Normalanzeige)

Die interne Uhr des R-5 wird automatisch zu den empfangenen CT-Daten synchronisiert.

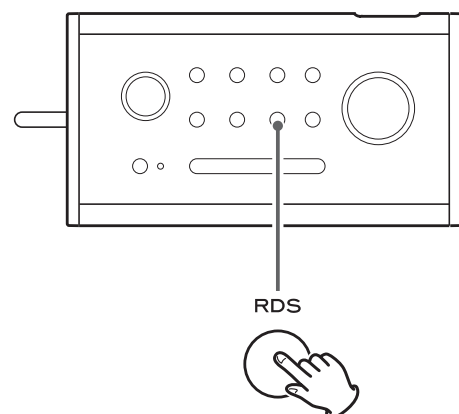
Falls ein RDS-Sender falsche CT-Daten ausstrahlt, zeigt die interne Uhr des R-5 nicht die tatsächliche Uhrzeit an, wodurch der Timerbetrieb beeinträchtigt wird.

Die automatische CT-Datensynchronisation kann deaktiviert werden.

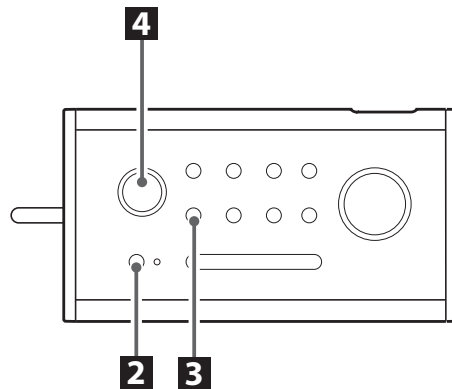
- Die Uhr des R-5 wird unabhängig von der gewählten RDS-Betriebsart zu den empfangenen CT-Daten synchronisiert.

**Betätigen Sie die RDS-Taste jeweils länger als zwei Sekunden, um die automatische Synchronisation zu CT-Daten ein- oder auszuschalten.**

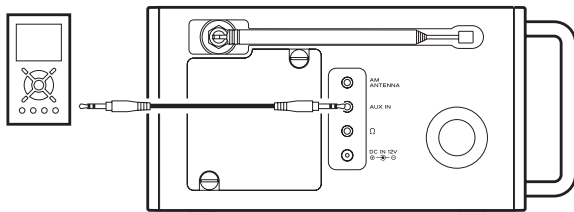
„CT ON“ oder „CT OFF“ wird kurzzeitig im Display angezeigt.



# Wiedergabe externer Signalquellen



**1** Verwenden Sie das mitgelieferte Stereo-Miniklinkenkabel, um die PHONES-Buchse (den Audioausgang) eines portablen Audio-Players an der AUX IN-Buchse des R-5 anzuschließen.



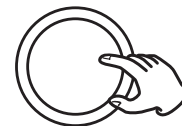
**2** Schalten Sie den R-5 mittels **STANDBY/ON**-Taste ein.



**3** Betätigen Sie zum Auswählen von „AUX“ wiederholt die **FUNCTION**-Taste.



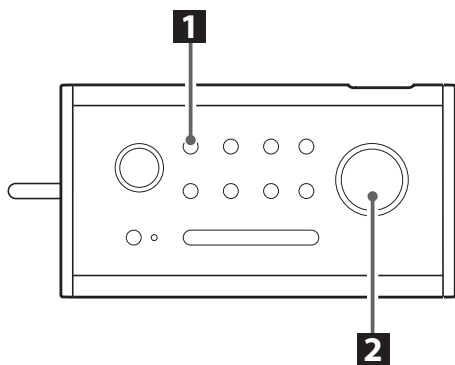
**4** Starten Sie die Wiedergabe der externen Signalquelle, und korrigieren Sie die Wiedergabelautstärke mittels **VOLUME**-Drehregler des R-5 sowie Lautstärkeregler des externen Players.



VOLUME

Achten Sie darauf, dass Sie am externen Player einen Wiedergabepegel einstellen, wenn Sie zum Anschließen dessen PHONES-Buchse verwenden. Andernfalls wird das Audiosignal des externen Players nicht über den R-5 wiedergegeben.

## Klangregelung

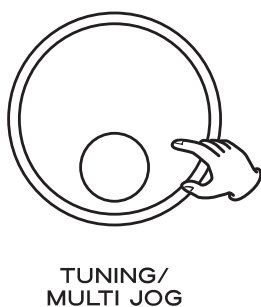


- 1 Wählen Sie durch wiederholtes Betätigen der TONE-Taste den einzustellenden Frequenzbereich.**



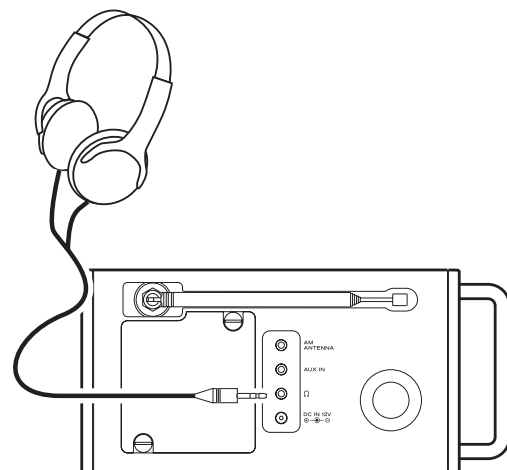
Wählen Sie „Set bass“, um den Pegel des Bassbereichs zu korrigieren.  
Wählen Sie „Set treble“, um den Pegel des Hochtonbereichs zu korrigieren.

- 2 Verändern Sie die jeweilige Einstellung mittels MULTI JOG Dial.**



Der Pegel kann jeweils in einem Bereich zwischen -4 bis +4 eingestellt werden.

## Kopfhörer



Schließen Sie einen Kopfhörer an der PHONES-Buchse (Ω) an und korrigieren Sie die Wiedergabelautstärke.

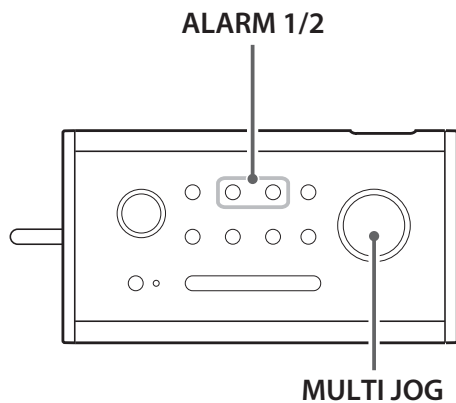
Sofern eine UKW-Sendung in Stereo empfangen wird, wird sie auch über Kopfhörer in Stereoqualität wiedergegeben.

Das Stereo-Audiosignal externer Player, die an der AUX IN-Buchse angeschlossen sind, wird auch über Kopfhörer in Stereoqualität wiedergegeben.

### ACHTUNG

Regeln Sie die Wiedergabelautstärke grundsätzlich auf den Minimalwert zurück, bevor Sie Kopfhörer anschließen. VERMEIDEN SIE HÖRSCHÄDEN - Setzen Sie Kopfhörer erst auf, nachdem Sie sie angeschlossen haben.

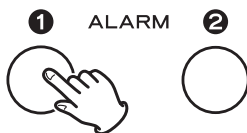
# Timer (1)



- Der R-5 kann so programmiert werden, dass er sich zu einer bestimmten Zeit einschaltet und 60 Minuten später wieder ausschaltet.
- Der R-5 speichert zwei Timereinstellungen.
- Überprüfen Sie vor der Timerprogrammierung, ob die Uhr korrekt eingestellt ist.

Nachfolgend wird die Programmierung von ALARM 1 beschrieben. Die Bedienschritte zum Programmieren von ALARM 2 sind jedoch die gleichen.

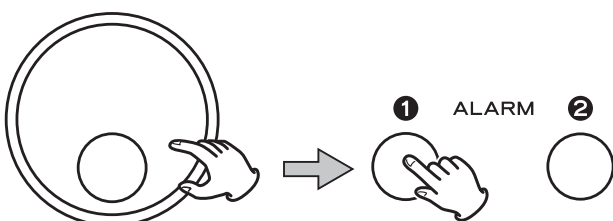
## 1 Betätigen Sie die ALARM 1-Taste länger als zwei Sekunden.



„Set alarm <Off>“ erscheint im Display.

- Wird innerhalb von zehn Sekunden keine Taste betätigt, bricht die Timereinstellung ab.

## 2 Wählen Sie mittels MULTI JOG Dial <ON> und betätigen Sie anschließend die ALARM 1-Taste.



TUNING/  
MULTI JOG

## 3 Stellen Sie mittels MULTI JOG Dial die Startzeit ein, und betätigen Sie anschließend die ALARM 1-Taste.

## 4 Wählen Sie mittels MULTI JOG Dial die Signalquelle („FM“, „AM“ oder den Weckton „Buzzer“), und betätigen Sie danach die ALARM 1-Taste.

- „AUX“ kann nicht gewählt werden.
- Fahren Sie bei Auswahl von „Buzzer“ mit Bedienschritt **7** fort.

## 5 Falls Sie in Bedienschritt 4 „FM“ oder „AM“ gewählt haben, wählen Sie mittels MULTI JOG Dial zum Einstellen eines Senders <FREQ> oder <PRESET>, und betätigen Sie die ALARM 1-Taste.

## 6 Wählen Sie mittels MULTI JOG Dial einen Frequenzwert oder ein Preset aus, und betätigen Sie die ALARM 1-Taste.

## 7 Stellen Sie mittels MULTI JOG Dial die Wiedergabelautstärke ein, und betätigen Sie danach die ALARM 1-Taste.

Wenn Sie die ALARM-Taste und innerhalb von zehn Sekunden auch keine andere Taste betätigen, wird als Lautstärkewert automatisch „15“ eingestellt.

Die Timerprogrammierung ist nun abgeschlossen, und der Timer ist aktiviert.

Die ALARM 1-Anzeige leuchtet.

- 8** Betätigen Sie die **STANDBY/ON**-Taste, um den R-5 in den Standby-Modus zu versetzen.



**Achten Sie darauf, den R-5 auszuschalten (Standby), da andernfalls der Timer nicht funktioniert.**

- Falls der R-5 vom Netz getrennt ist und die Akkus bereits eine Stunde komplett entladen sind, gehen die gespeicherten Uhrzeit- und Timereinstellungen verloren.

**Falls sich ALARM 2 und ALARM 1 überlappen:**

**Beispiel:**

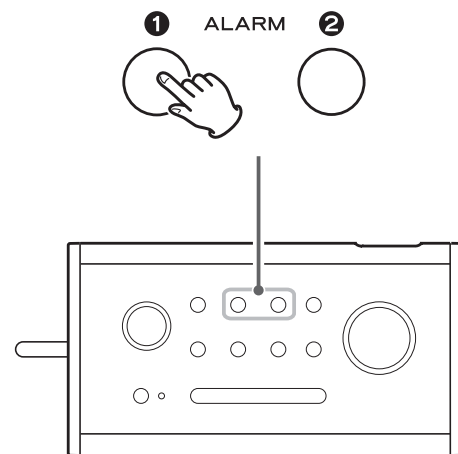
ALARM 1 (Startzeit: 7:00, Signalquelle: „FM“)

ALARM 2 (Startzeit: 7:30, Signalquelle: „AM“)

**Bei Überlappung der Timereinstellungen wird die Signalquelle bei Erreichen der späteren Startzeit gewechselt.**

Für das Beispiel oben bedeutet dies, dass der R-5 um 7:00 Uhr im UKW-Radiobetrieb eingeschaltet wird und um 7:30 Uhr auf MW-Radioempfang umschaltet. Um 8:30 Uhr schaltet sich der R-5 automatisch aus.

## Überprüfen des Timers



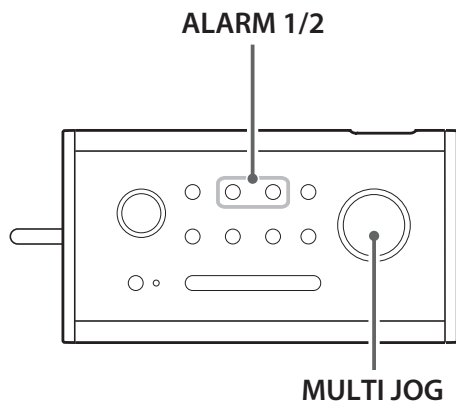
Betätigen Sie zum Überprüfen der jeweiligen Timerprogrammierung die entsprechende Taste (ALARM 1 oder ALARM 2).

Die eingestellten Werte werden nacheinander angezeigt.

- Diese Funktion kann nicht verwendet werden, wenn kein Timer programmiert wurde.
- Durch wiederholtes Betätigen der betreffenden ALARM-Taste oder, wenn zehn Sekunden lang keine Taste betätigt wird, wird die Überprüfung beendet. Im Display erscheint die Normalanzeige.

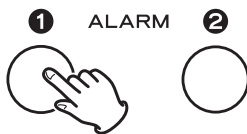
# Timer (2)

## Ein-/Ausschalten des Timers



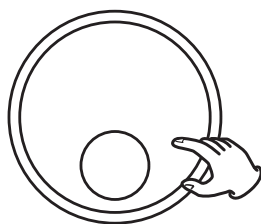
Nachdem Sie die Timerfunktion programmiert haben, können Sie sie ein- und ausschalten.

- 1** Betätigen Sie die entsprechende Taste (ALARM 1 oder ALARM 2) länger als zwei Sekunden.



„Set alarm <Off>“ oder „Set alarm <On>“ erscheint im Display.

- 2** Wählen Sie mittels MULTI JOG Dial die Option <On> oder <Off>.



TUNING/  
MULTI JOG

- 3** Betätigen Sie die entsprechende ALARM-Taste.



Bei aktivierter Timerfunktion leuchtet die Alarm 1- und/oder die Alarm 2-Anzeige.

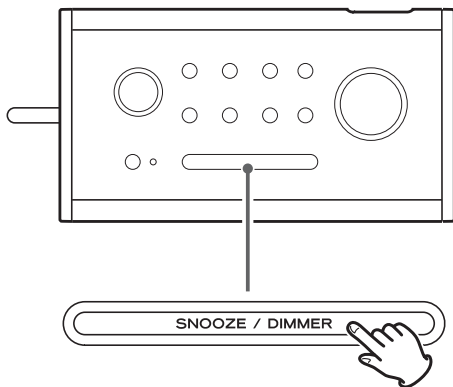
Achten Sie darauf, dass Sie dieselbe ALARM-Taste betätigen, wie in Bedienschritt **1**.

# Einschlaf-timer

## Die Schlummerfunktion

Der R-5 kann vorübergehend wieder in Betriebsbereitschaft (Standby) versetzt werden, nachdem er mittels Timer eingeschaltet wurde.

Betätigen Sie die SNOOZE/DIMMER-Taste.



SNOOZE- und ALARM-Anzeige blinken im Display und der R-5 wird in den STANDBY-Modus versetzt.

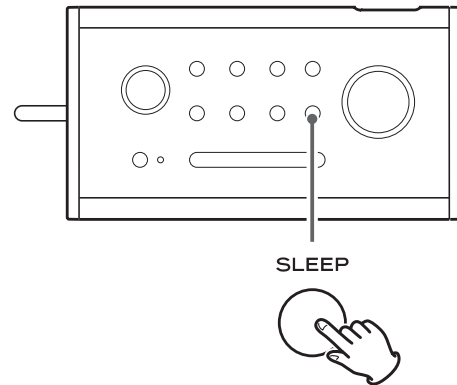
Nach fünf Minuten schaltet sich der R-5 wieder ein.

Die Schlummerfunktion kann innerhalb von 60 Minuten wiederholt verwendet werden.

- Betätigen Sie die STANDBY/ON-Taste, um die Schlummerfunktion zu beenden.

Der R-5 kann mittels Einschlaf-timer nach einer bestimmten Zeit in den Standby-Modus versetzt werden.

Betätigen Sie wiederholt die SLEEP-Taste, bis die gewünschte Zeitspanne im Display angezeigt wird.



### **SLEEP 90, 60, 45, 30 oder 15:**

Der Standby-Modus wird nach Verstreichen von 90, 60, 45, 30 oder 15 Minuten aktiviert.

### **Normalanzeige:**

Die Einschlaf-timerfunktion ist deaktiviert.

- Bei aktiviertem Einschlaf-timer wird das Display automatisch abgedunkelt.

### **Überprüfen der verbleibenden Zeitspanne**

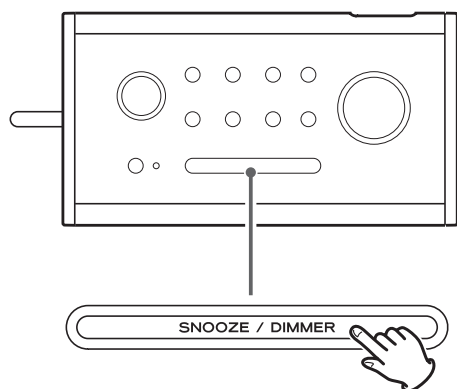
Betätigen Sie die SLEEP-Taste.

Die verbleibende Dauer bis zur Abschaltung wird fünf Sekunden lang im Display angezeigt. Danach erscheint wieder die normale Betriebsanzeige.

## Dimmer

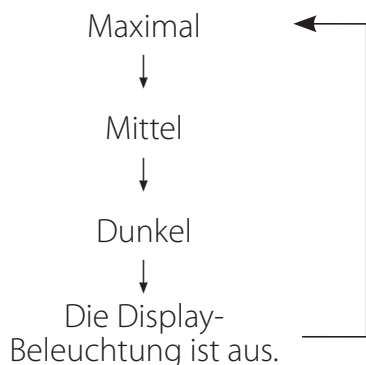
Die Display-Helligkeit kann eingestellt werden.

Betätigen Sie zum Einstellen der Display-Helligkeit die SNOOZE/DIMMER-Taste.

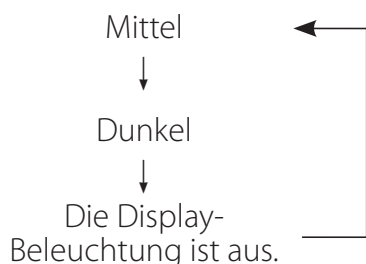


Die Display-Helligkeit ändert sich, wie folgt:

### Bei Netzbetrieb des R-5:



### Bei Batteriebetrieb des R-5:



## Hilfe bei Funktionsstörungen

Falls beim R-5 Funktionsstörungen auftreten sollten, versuchen Sie, anhand der folgenden Hinweise selbst Abhilfe zu schaffen, bevor Sie Ihren Fachhändler oder ein autorisiertes TEAC-Servicecenter kontaktieren.

### Die Standby-Anzeige leuchtet nicht.

- ➔ Bei Batteriebetrieb leuchtet die Anzeige nicht, wodurch die Betriebsdauer der Batterie verlängert wird.

### Kein Strom

- ➔ Falls die Batterien entladen sind, schließen Sie zum Laden der Batterien den Netzadapter an.
- ➔ Überprüfen Sie die Spannungsversorgung. Stellen Sie sicher, dass die verwendete Steckdose nicht ausgeschaltet ist. Schalten Sie den Schalter andernfalls ein. Überprüfen Sie die einwandfreie Funktion der Wandsteckdose, indem Sie ein anderes elektrisches Gerät, wie beispielsweise einen Ventilator oder eine Lampe, daran anschließen.

### Keine Wiedergabe

- ➔ Schalten Sie den R-5 ein und korrigieren Sie die Wiedergabelautstärke.
- ➔ Wählen Sie mittels FUNCTION-Taste eine Signalquelle.
- ➔ Vergewissern Sie sich, dass kein Kopfhörer an der PHONES-Buchse angeschlossen ist.

### Rauschen bei der Wiedergabe

- ➔ Der R-5 befindet sich zu nah an einem TV- oder einem anderen elektronischen Gerät. Wechseln Sie den Aufstellungsort, schalten Sie das störende Gerät aus oder verwenden Sie eine andere Steckdose.
- ➔ Verwenden Sie den R-5 im Batteriebetrieb, um zu überprüfen, ob die Störung über das Stromnetz induziert wird.



## Technische Daten

### Kein Sender oder das Signal ist zu schwach.

- ➔ Stellen Sie die Empfangsfrequenz eines Senders korrekt ein.
- ➔ Bei Empfang einer MW (AM) Sendung:
  - Richten Sie den R-5 im Freien auf beste Empfangsqualität aus.
  - Schließen Sie, bei der Verwendung in Innenräumen, die mitgelieferte Rahmenantenne an.
- ➔ Ziehen Sie, bei Empfang einer UKW (FM) Sendung, die Teleskopantenne vollständig aus und richten Sie sie auf beste Empfangsqualität aus.

### Der Timer funktioniert nicht.

- ➔ Vergessen Sie nicht den R-5 auszuschalten (Standby) (siehe Seite 76).
- ➔ Stellen Sie den Alarm ein <On> (siehe Seite 78).

**Falls normaler Betrieb des R-5 dennoch nicht möglich ist, entfernen Sie das Akku-Pack und trennen Sie den Netzadapter vom Netz. Warten Sie einige Minuten, bevor Sie das Akku-Pack wieder einsetzen und die Netzverbindung wieder herstellen.**

**Hierdurch wird der interne Mikroprozessor, der durch Gewitter, Netzausfall, usw. gestört sein kann, zurückgesetzt**

### Frequenzbereich

UKW (FM) .....87.50 MHz bis 108.00 MHz  
(in Schritten von 50 kHz)  
MW (AM) .....530 kHz bis 1,710 kHz  
(in Schritten von 10 kHz)

### Lautsprechersystem

Typ.....65 mm  
Impedanz.....6 Ohm

### Allgemein

Ausgangsleistung .....1,5 W  
Spannungsversorgung (Netzadapter)  
230 V, 50 Hz  
Leistungsaufnahme .....5 W (im Betrieb)  
15 W (während Batterieaufladung)  
Abmessungen (B x H x T) ..240 x 130 x 122 mm  
Gewicht..... 1,2 kg (inklusive Batterie)

### Standardzubehör:

Netzadapter x 1  
MW (AM) Rahmenantenne x 1  
Stereo-Miniklinkenkabel x 1  
Bedienungsanleitung x 1  
Garantiekarte x 1

- Änderungen in Design und technischer Ausstattung vorbehalten.
- Abbildungen können von den Produktionsmodellen geringfügig abweichen.

## Hinweise für Kunden in Europa

### Entsorgung elektrischer oder elektronischer Geräte sowie verbrauchter Batterien

Sofern Geräte, deren Verpackung oder Batterien mit dem Symbol einer durchgekreuzten Abfalltonne gekennzeichnet sind oder in der jeweiligen Dokumentation darauf hingewiesen wird, bedeutet dies, dass deren Entsorgung gemäß der RICHTLINIEN 2002/96/EG sowie 2006/66/EG des EUROPÄISCHEN PARLAMENTS UND DES RATES bezüglich Elektro- und Elektronik-Altgeräte geregelt ist.

Sämtliche elektrischen und elektronischen Geräte sowie verbrauchte Batterien müssen demgemäß, getrennt vom Restmüll, den von der jeweils zuständigen städtischen, Landes- oder Bundesbehörde dazu bestimmten, gesonderten Wertstoffsammlungen zugeführt werden.

Die korrekte Entsorgung elektrischer oder elektronischer Geräte trägt in hohem Maß der Vermeidung möglicher negativer Konsequenzen für die Umwelt und damit auch für Ihre eigene sowie die Gesundheit Anderer bei.

Weitere Informationen zur Entsorgung Ihrer elektrischen oder elektronischen Geräte sowie verbrauchter Batterien erhalten Sie auf Anfrage bei Ihrem zuständigen Stadtbüro, der Abfallentsorgungsgesellschaft oder dem Händler, bei dem Sie das Gerät erworben haben.

### Hinweise zur Entsorgung in Ländern außerhalb der Europäischen Union

Diese Symbole sind ausschließlich in Mitgliedsländern der EU wirksam. Bei Fragen zur Entsorgung in anderen Ländern wenden Sie sich an die zuständigen, lokalen Behörden oder Ihren Fachhändler.

### Hinweis zum Batteriesymbol (unten rechts):

Dieses Symbol dient zusammen mit der Bezeichnung eines chemischen Elements als Hinweis, dass die entsprechende Richtlinie zur Entsorgung der genannten Chemikalie anzuwenden ist.



# Indice

**Grazie per aver scelto TEAC. Leggere attentamente questo manuale per ottenere il massimo delle prestazioni da questa unità.**

Indice .....	83
Batterie ricaricabili .....	84
Collegamenti .....	86
Funzioni dell'unità .....	88
Impostazione dell'orologio .....	90
Ascolto della radio .....	91
Sintonizzare i Preset .....	92
RDS .....	93
Ascolto di una sorgente esterna .....	94
Controllo di tono .....	95
Cuffia .....	95
Timer .....	96
Timer di spegnimento .....	99
Dimmer .....	100
Risoluzione dei problemi .....	100
Specifiche .....	101

- Non esporre questo apparecchio a schizzi e gocciolamenti.
- Non collocare oggetti contenenti liquidi, come vasi, sopra questo apparecchio.
- Non installare questo apparecchio in spazi ristretti come librerie e simili.
- Anche quando è in standby, l'apparecchio porta corrente dalla presa di rete con il suo interruttore POWER o STANDBY/ON non nella posizione ON.
- L'apparecchio dovrebbe essere collocato abbastanza vicino alla presa AC in modo che il cordone di alimentazione sia facilmente raggiungibile in qualsiasi momento.
- La presa di corrente è il solo modo per scollegare completamente l'apparecchio e per renderlo nuovamente operativo.
- Se l'apparecchio usa batterie (pacchetto di batterie o batterie installate) queste non dovranno essere esposte a calore eccessivo come luce solare, fuoco o altre fonti di calore.
- Cautela per l'ascolto in cuffia o auricolare perché deve essere effettuato a livelli moderati di volume. Livelli d'ascolto eccessivi in cuffia o auricolare possono causare danni irreversibili all'udito e sordità.

## Prima dell'uso

- Dato che l'unità può riscaldarsi durante l'uso, lasciare sempre uno spazio sufficiente attorno all'unità per la ventilazione.
- Il voltaggio fornito all'unità dovrebbe corrispondere al voltaggio stampato sull'alimentatore AC. Se si hanno dubbi in merito consultare un elettricista.
- Scegliere con cura dove collocare l'unità. Evitare di posizionare l'unità sotto la luce diretta del sole o vicino a una sorgente di calore. Evitare anche luoghi con eccessive vibrazioni, con eccessiva polvere, troppo caldi o troppo freddi o con eccessiva umidità.
- Non collocare l'unità su un amplificatore o un ricevitore.
- Non aprire il cabinet per non causare danni ai circuiti ed evitare scosse elettriche. Se un oggetto estraneo dovesse entrare nell'apparecchio, contattare il rivenditore o un centro assistenza.
- Quando si rimuove l'alimentazione dalla presa di rete, tirare sempre la spina, mai stratonare il cordone.
- Conservare questo manuale in un luogo sicuro per riferimenti futuri.

## Manutenzione

Se la superficie dell'unità si sporca, pulire delicatamente con un panno morbido o usare un sapone neutro diluito. Assicurarsi di rimuovere completamente ogni eccesso di detergente. Non usare diluenti, benzene o alcol perché potrebbero danneggiare la superficie dell'unità. Lasciare asciugare completamente la superficie dell'unità prima dell'uso.

## Batterie ricaricabili

L'R-5 utilizza un pacco batteria al nichel-idruro metallico nel vano batteria. Lasciando l'alimentatore AC collegato all'R-5 e inserito in una rete AC, assicura che le batterie saranno completamente cariche quando è necessario utilizzare l'R-5 alimentato a batteria. L'R-5 può essere usato per 5 ore dopo che le batterie sono completamente cariche (con il volume impostato su 20).

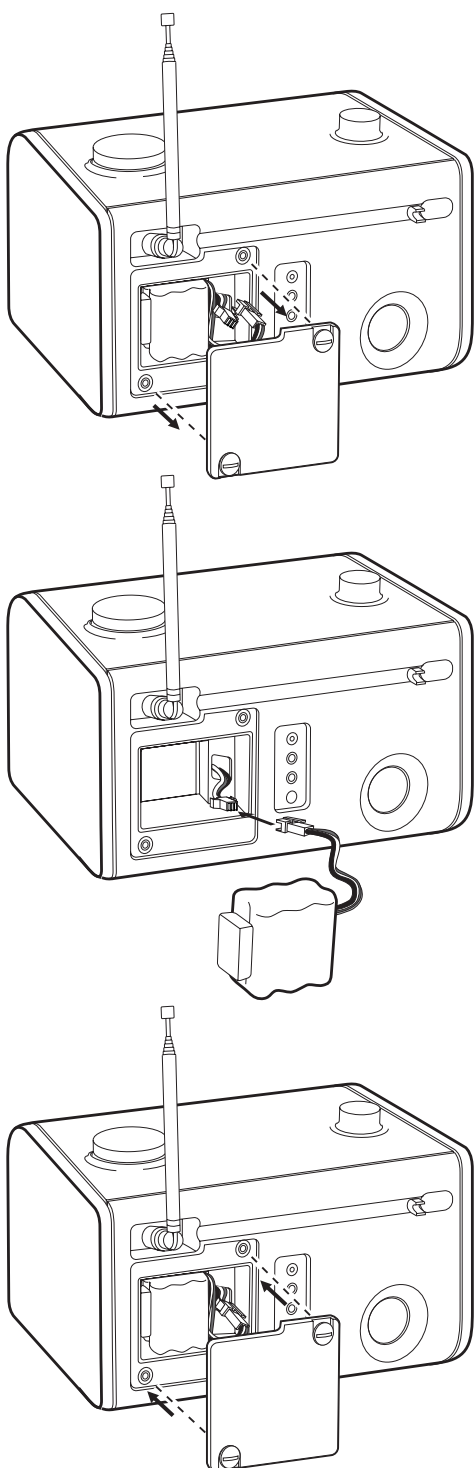
- Quando l'R-5 non è in uso, ma l'alimentatore AC è collegato, le batterie saranno completamente cariche in circa 3,5 ore da una scarica completa.
- Quando l'R-5 è acceso e l'alimentatore AC è collegato, le batterie saranno completamente cariche entro circa 24 ore.
- Può essere necessario fino a 4 cicli di carica e scarica, prima che le batterie siano funzionanti a piena capacità quando l'R-5 è nuovo o non viene usato per diverse settimane.  
Si suggerisce di lasciare l'R-5 collegato per circa 12 ore prima di utilizzarlo per la prima volta.
- Una volta che l'R-5 è completamente carico mentre è in STANDBY, non scollegare l'alimentatore AC e poi collegarlo nuovamente subito. Questo farà ripartire il ciclo di carica, anche se le batterie sono completamente cariche. Fare questo ripetutamente danneggia le batterie.
- Se l'R-5 non è collegato, le batterie si scaricano lentamente come misura di sicurezza.
- I cicli di ricarica del pacco batteria al nichel-idruro metallico riduce la capacità della batteria. Si chiama "effetto memoria". Per evitare questo, a volte la batteria deve essere completamente scarica prima di ricaricarla. Per scaricare la batteria, scollegare l'alimentatore AC e lasciare l'R-5 acceso fino a che non si spegnerà automaticamente. Se si avverte che la capacità della batteria è ridotta, lasciare la batteria inutilizzata per diverse settimane.

## Collegare la batteria

Il connettore del pacco batteria non è collegato per evitare che si scarichi prima dell'acquisto dell'unità.

Collegare il pacco batteria prima dell'uso.

1. Togliere il coperchio del vano batteria.
2. Collegare il pacco batteria.
3. Chiudere il coperchio.



## Sostituzione della batteria

Quando le batterie sono scariche, sostituire il pacco batteria con uno nuovo.

1. Togliere il coperchio del vano batteria.
2. Scollegare il connettore del pacco batteria e rimuoverlo.
3. Inserire una batteria nuova e collegare il connettore.
4. Chiudere il coperchio

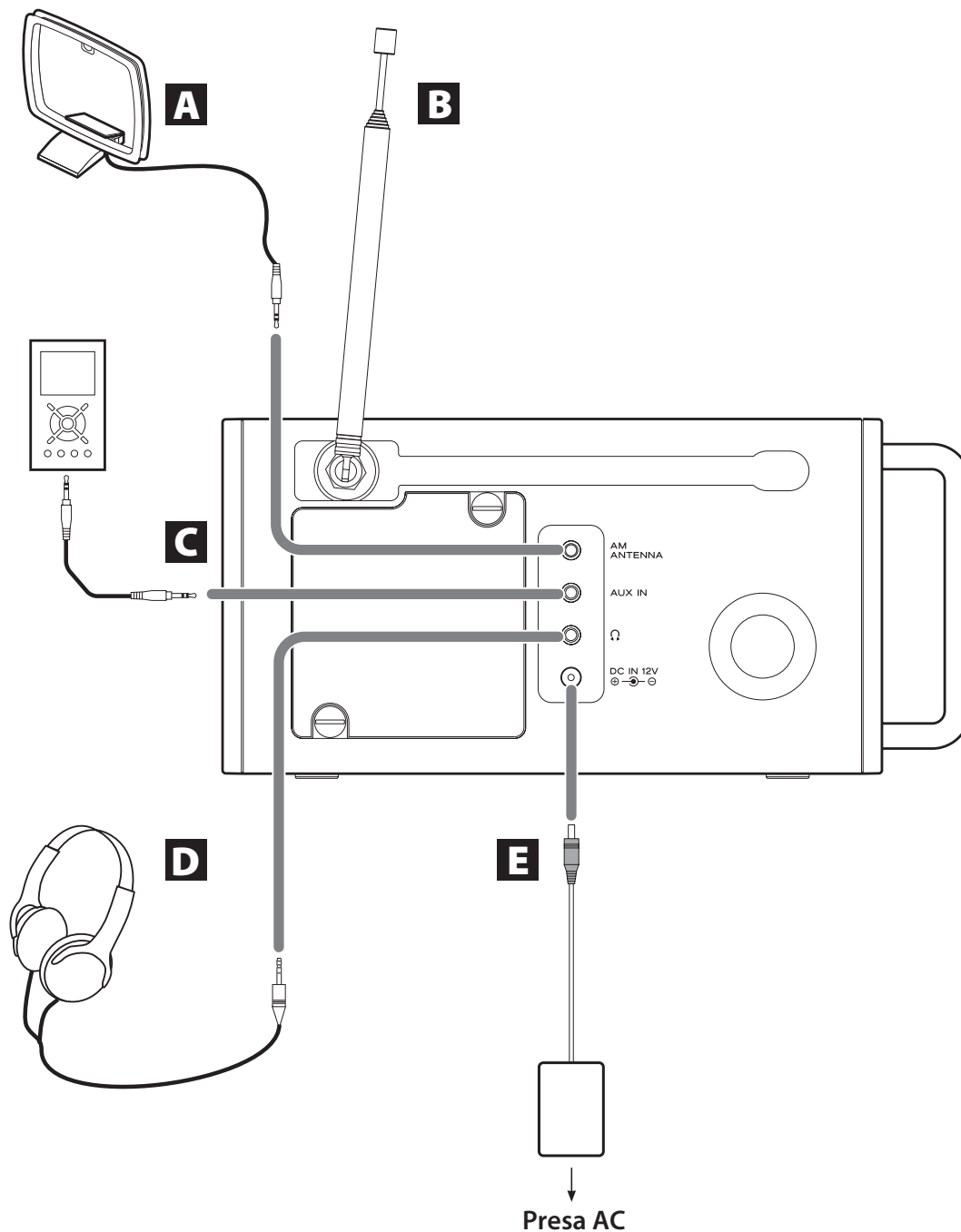
### ⚠ Cautela:

- Non riscaldare o smontare le batterie ricaricabili. Non gettare le batterie vecchie da buttare sul fuoco.

# Collegamenti

## Cautela:

- Spegnere l'unità (mettere in standby) prima di effettuare i collegamenti.
- Leggere le istruzioni di ogni dispositivo che si intende usare con questa unità.
- Assicurarsi di collegare ogni spina in modo sicuro. Per prevenire ronzio e rumore, non aggrovigliare i cavi.

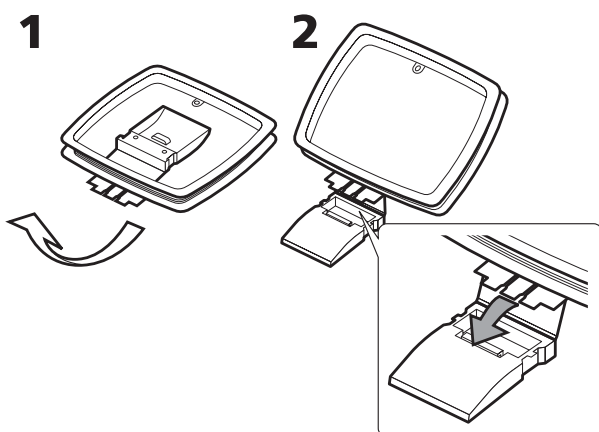


## **A** Antenna AM da interno

L'unità dispone di un'antenna AM incorporata. Tuttavia, quando si utilizza l'unità interna, usare l'antenna da interno.

### **Impiegare l'antenna interna**

Fissare l'attacco alla base dell'antenna per mettere dritta l'antenna su una superficie.



Collegare il terminale dell'antenna AM. Posizionare l'antenna su una mensola o appendere sul telaio di una finestra ecc. per ottenere la migliore ricezione.

## **B** Antenna FM telescopica

Estrarre l'antenna telescopica alla sua massima lunghezza e ruotarla nella direzione che fornisce la migliore ricezione.

## **C** Presa AUX IN

È possibile collegare un lettore audio portatile a questa presa.

Collegare LINE OUT o la presa PHONES (presa di uscita audio) del lettore utilizzando il cavo con mini presa stereo in dotazione.

Quando si utilizza la presa PHONES del lettore è necessario regolare il volume del lettore o si potrebbe non udire alcun suono dall'R-5.

- Alzare troppo il volume del lettore può provocare distorsione audio dall'R-5. Se questo succede, ridurre il volume del lettore fino a quando la distorsione cessa e poi regolare il livello del volume dell'R-5 ad un livello di ascolto confortevole.

## **D** PHONES

Per l'ascolto privato, inserire la spina della cuffia in questa presa e regolare il volume con la manopola VOLUME.

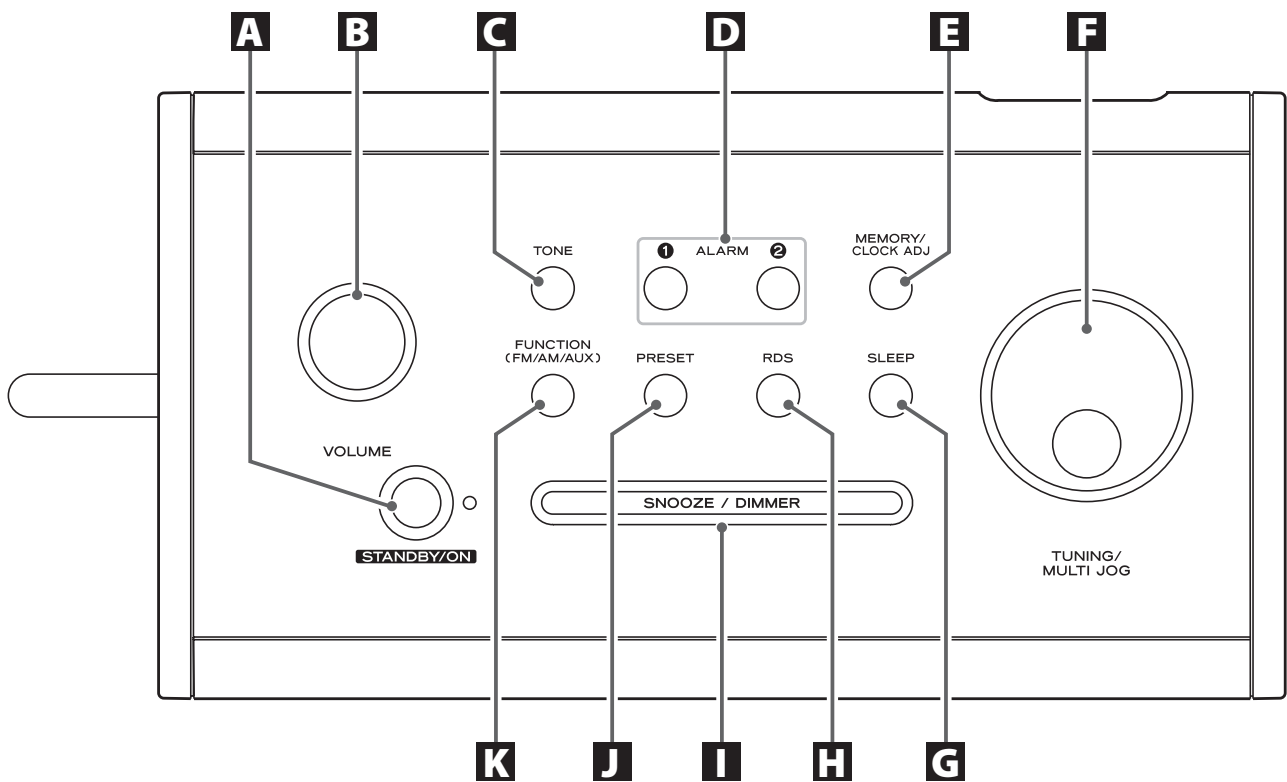
- Si può ascoltare in stereo con le cuffie quando si riceve una trasmissione FM stereo.

## **E** DC IN

Collegare l'alimentatore AC fornito a questa presa. Quindi collegare l'alimentatore AC alla presa di corrente.

- ⚠ Non utilizzare alimentatori AC diversi da quello in dotazione con l'unità per evitare incendi, scosse elettriche ecc. Assicurarsi di collegare l'alimentatore a una presa di corrente che sia alimentata correttamente.

# Funzioni dell'unità





## **A** STANDBY/ON

Utilizzare questo pulsante per accendere l'unità o metterla in standby.

L'indicatore si illumina quando l'unità è in standby e l'alimentatore AC è collegato. Quando si utilizza l'unità con l'alimentazione a batteria, la spia non si accende per salvare la durata della batteria.

## **B** VOLUME

Ruotare questa manopola per regolare il livello del volume.

## **C** TONE

Utilizzare questo pulsante con la manopola MULTI JOG per regolare i bassi e gli alti.

## **D** ALARM 1/2

Usa questi pulsanti per impostare il timer.

## **E** MEMORY/CLOCK ADJ

Utilizzare questo pulsante per salvare i canali preimpostati in memoria e impostare l'orologio.

Per impostare l'orologio, tenere premuto il pulsante per più di 2 secondi per entrare nella modalità di regolazione orologio. Quindi, regolare l'orologio con la manopola MULTI JOG.

## **F** TUNING/MULTI JOG

In modalità AM o FM, ruotare questa manopola per sintonizzare una stazione. Questa manopola viene utilizzata anche per regolare l'orario, modificare le impostazioni del timer ecc.

## **G** SLEEP

Utilizzare questo pulsante per impostare il timer di spegnimento.

## **H** RDS

Usare questo pulsante per selezionare una modalità RDS mentre si ascolta una trasmissione FM.

## **I** SNOOZE/DIMMER

Utilizzare questo pulsante per mettere l'unità in modalità standby temporanea e ridurre la luminosità dello schermo.

Quando il timer accende l'unità premere questo pulsante per mettere l'unità in modalità standby per 5 minuti.

Questo pulsante è usato anche per modificare la luminosità del display.

## **J** PRESET

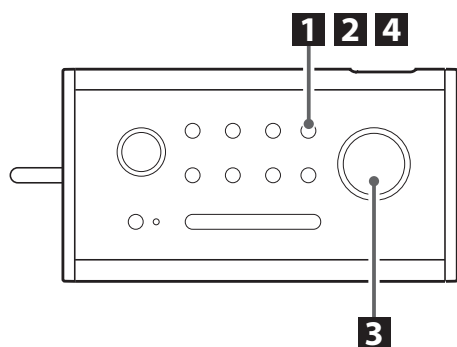
Utilizzare questo pulsante per selezionare un canale preselezionato.

## **K** FUNCTION (FM/AM/AUX)

Usare questo pulsante per selezionare FM, AM o AUX.

Quando un dispositivo è collegato alla presa AUX IN, selezionare AUX per ascoltare la sorgente esterna.

# Impostazione dell'orologio



- 1** Tenere premuto il pulsante MEMORY/CLOCK ADJ per più di 2 secondi.

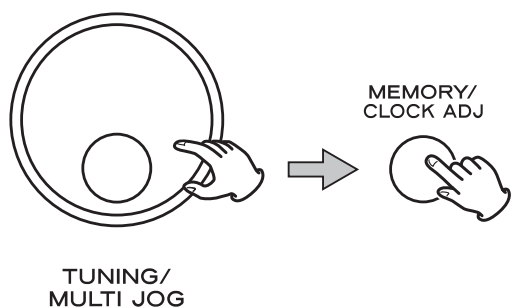
MEMORY/  
CLOCK ADJ



"Time Mode <24 Hours>" appare.

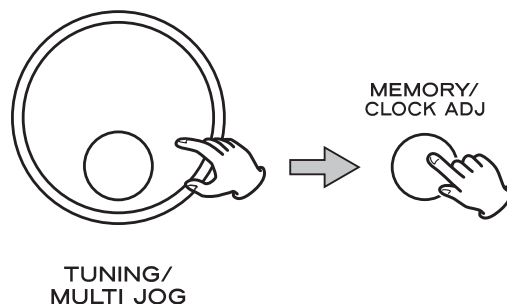
- Se nessun pulsante viene premuto per 10 secondi, la modalità di impostazione dell'orologio viene annullata.

- 2** Se si desidera cambiare la modalità ore, ruotare la manopola MULTI JOG per selezionare 24 o 12 ore e poi premere il pulsante MEMORY/CLOCK ADJ.



L'impostazione predefinita è di 24 ore..

- 3** Ruotare la manopola MULTI JOG per regolare il tempo e quindi premere il pulsante MEMORY/CLOCK ADJ.



L'orologio parte da 00 secondi.

- 4** Ripetere il passo 3 per impostare l'anno, il mese e il giorno.

- Se l'unità viene scollegata dall'alimentazione e le batterie sono completamente scariche per circa un'ora, le impostazioni dell'orologio e del timer verranno perse.

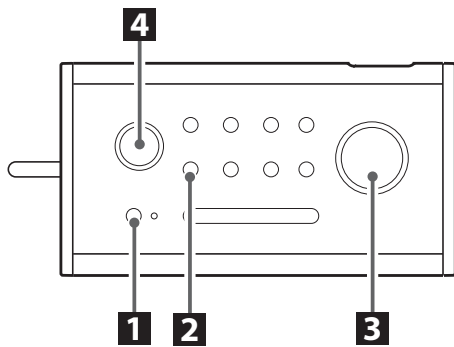
## Per impostare l'ora legale

Tenere premuto il pulsante MEMORY/CLOCK ADJ e il pulsante SLEEP insieme per impostare l'ora legale.

L'orologio avanza di un'ora.

Per impostare l'orologio un'ora indietro, tenere premuto di nuovo il pulsante MEMORY/CLOCK ADJ e il pulsante SLEEP insieme.

# Ascolto della radio



- 1** Premere il pulsante **STANDBY / ON** per accendere l'unità.



L'indicatore standby si spegne.

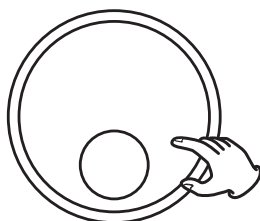
- L'unità si accende con la sorgente che è stato selezionata per ultima.

- 2** Selezionare **AM o FM** con il pulsante funzione.

FUNCTION  
(FM/AM/AUX)



- 3** Ruotare la manopola di sintonia per sintonizzare una stazione.



## Sintonia manuale

Ruotare la manopola MULTI JOG fino a trovare la stazione desiderata.

I cambiamenti di frequenza sono a intervalli fissi.

## Sintonia automatica

Premere la manopola MULTI JOG per avviare la sintonia automatica.

Quando viene trovata una stazione, l'unità sintonizza automaticamente la stazione.

Ripetere questo passaggio fino a che si trova la stazione desiderata.

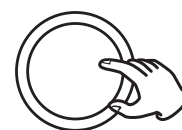
## Stazioni preselezionate (Preset)

Premere il pulsante PRESET per selezionare una stazione Preset.

Viene selezionata la stazione memorizzata.

- Per le modalità delle stazioni Preset, vedere a pagina 92.

- 4** Ruotare la manopola **VOLUME** per regolare il volume.



Il livello può essere regolato da 00 a 30.

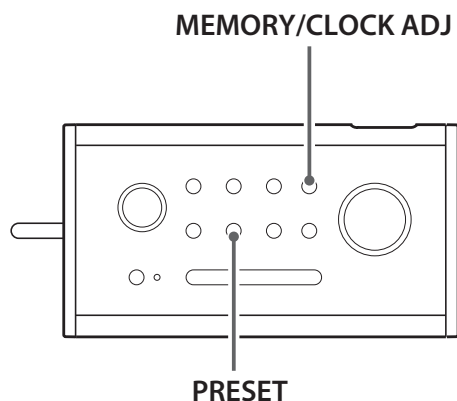
## Se la ricezione AM è scadente

Per una ricezione ottimale, cambiare la direzione della unità o dell'antenna collegata a questa unità fino a quando si ricevono le stazioni in modo chiaro.

## Se la ricezione FM è scadente

Per una ricezione ottimale, ruotare l'antenna estensibile fino a ricevere le stazioni in modo chiaro.

# Sintonizzare i Preset



È possibile memorizzare fino a 10 stazioni AM e 10 stazioni FM in memoria.

**1** Sintonizzarsi su una stazione che si desidera ascoltare (vedere passi **2** e **3** a pagina 91).

**2** Premere il pulsante MEMORY / CLOCK ADJ.

MEMORY/  
CLOCK ADJ



L'indicatore PRESET e un numero di canale lampeggia sul display.



**3** Entro 5 secondi, selezionare una posizione predefinita per memorizzarvi la stazione premendo ripetutamente il pulsante PRESET.

PRESET



**4** Entro 5 secondi, premere il pulsante MEMORY / CLOCK ADJ.

MEMORY/  
CLOCK ADJ



La stazione è memorizzata in memoria. Ripetere i passi da **1** a **4** per memorizzare ulteriori stazioni.

## Selezionare le stazioni Preset

Premere il pulsante PRESET ripetutamente fino a quando si trova la stazione preselezionata desiderata.

PRESET

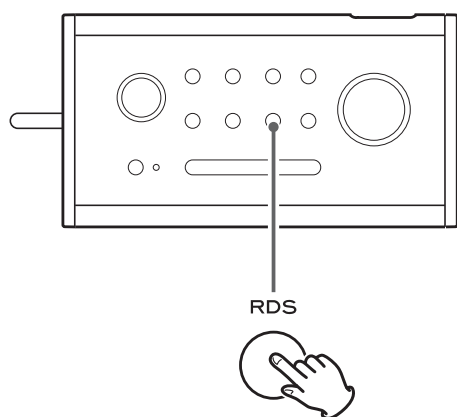


Il Radio Data System (RDS) è un servizio di trasmissione che permette alle stazioni di inviare informazioni aggiuntive insieme al normale segnale in radiofrequenza.

**Il sistema RDS funziona solo sulla banda FM in Europa.**

**1 Sintonizzarsi su una stazione FM (vedere a pagina 91).**

**2 Premere il pulsante RDS.**



Ogni volta che si preme il pulsante RDS, la modalità RDS cambia come segue:

### **RDS Program type (PTY)**

Quando si seleziona PTY, verrà visualizzato il tipo di programma.

Se non ci sono dati PTY, verrà visualizzato "NO PTY".

### **RDS Radio text (RT)**

Quando si seleziona RT, verranno visualizzati fino a 64 caratteri di informazioni trasmesse dalla stazione.

Se non ci sono dati RT, verrà visualizzato "NO TEXT".

### **RDS Clock time (CT)**

Visualizza le informazioni di orario fornito dalla stazione.

Quando si seleziona RDS Time Clock, verrà visualizzato l'orario fornito dalla stazione.

### **RDS off (Normal display)**

L'impostazione dell'orologio viene regolata automaticamente in base ai dati CT.

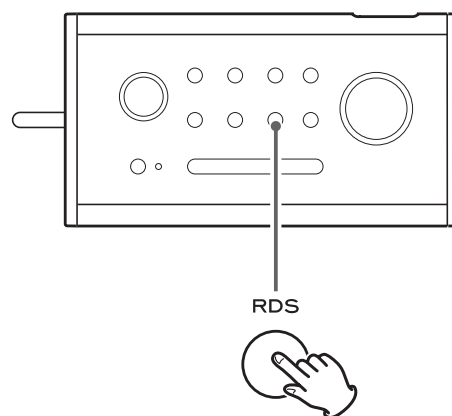
Se ci si sintonizza su una stazione RDS CT che trasmette dati non corretti, l'orologio potrebbe essere erroneamente regolato e potrebbe eventualmente compromettere il funzionamento del timer.

Quando non si desidera che l'orologio di questa unità sia impostato in base ai dati CT, disattivare la regolazione automatica dell'orologio.

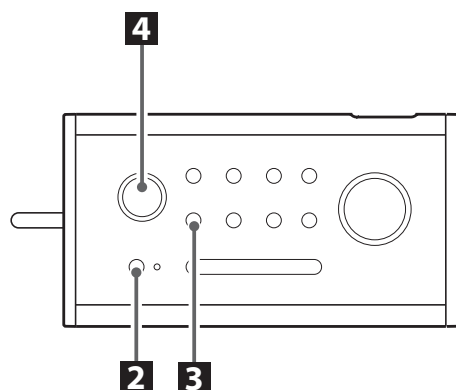
- A prescindere dalla modalità RDS selezionata, l'unità riceve i dati CT e regola l'orologio.

**Per attivare o disattivare la regolazione automatica dell'orologio, tenere premuto il pulsante RDS per più di 2 secondi.**

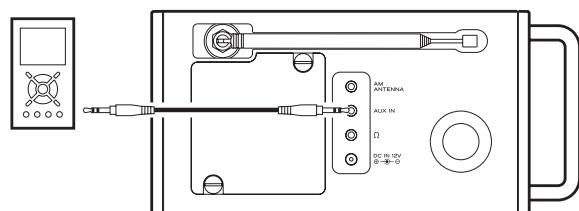
"CT ON" o "CT OFF" appare brevemente.



# Ascolto di una sorgente esterna



**1** Collegare la presa PHONES (presa di uscita audio) di un lettore audio portatile alla presa AUX IN dell'R-5 con il cavo mini presa stereo in dotazione.



**2** Premere il pulsante **STANDBY/ON** per accendere l'unità.



**3** Premere il pulsante **FUNCTION** per selezionare AUX.

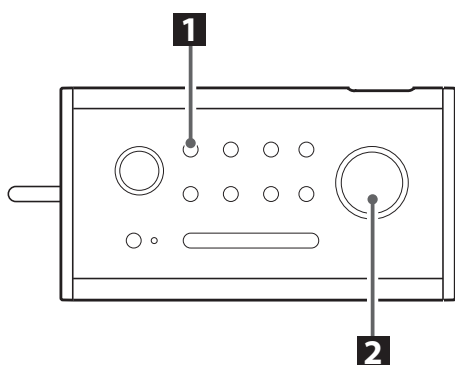


**4** Mettere in riproduzione la sorgente e regolare il volume con la manopola volume dell'R-5 e il volume del lettore audio.



Quando si utilizza la presa PHONES del lettore, è necessario regolare il suo volume si potrebbe non udire alcun suono dall'R-5.

## Controllo di tono



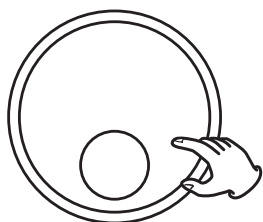
- 1** Premere il pulsante TONE per selezionare un elemento da regolare.



Per regolare il livello dei toni bassi, selezionare "Set bass".

Per regolare il livello dei toni acuti, selezionare "Set treble".

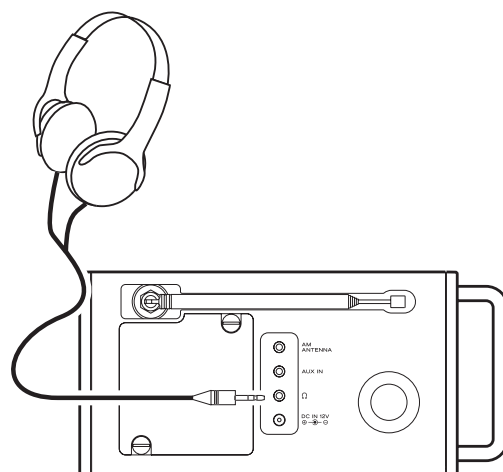
- 2** Ruotare la manopola MULTI JOG per cambiare l'impostazione.



TUNING/  
MULTI JOG

Il livello può essere regolato da -4 a +4.

## Cuffia



Inserire la spina della cuffia nella presa PHONES (Ω), e regolare il volume.

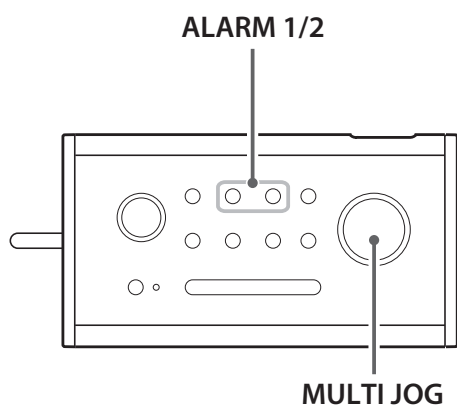
Quando viene ricevuta una trasmissione FM stereo, è possibile ascoltare il suono stereo, collegando le cuffie stereo alla presa PHONES.

Inoltre si può ascoltare il suono stereo da una sorgente esterna collegata alla presa AUX IN.

### CAUTELA

Abbassare sempre il livello del volume prima di collegare la cuffia. Per EVITARE DI DANNEGGIARE L'UDITO - mettere la cuffia in testa solo dopo averla collegata.

# Timer (1)

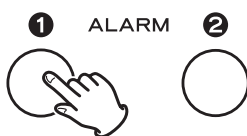


- L'unità può essere programmata per l'accensione a un determinato orario. L'unità si spegnerà 60 minuti dopo l'accensione.
- L'unità può memorizzare due impostazioni di timer in memoria.
- Regolare l'orologio prima di impostare il timer.

La procedura qui di seguito serve a impostare ALARM 1.

Seguire la stessa procedura per impostare ALARM 2.

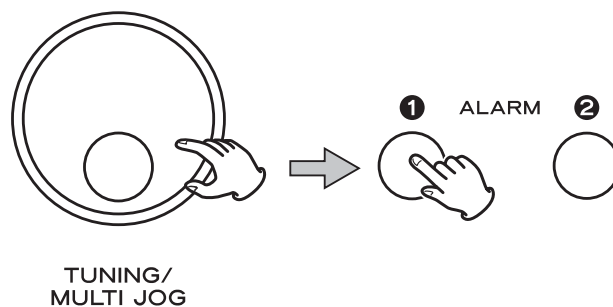
## 1 Tenere premuto il pulsante ALARM 1 per più di 2 secondi.



"Set alarm <Off>" appare sul display.

- Se nessun pulsante viene premuto entro 10 secondi, l'impostazione della modalità timer viene annullata.

## 2 Ruotare la manopola MULTI JOG per selezionare <ON> e quindi premere il pulsante ALARM 1.



## 3 Ruotare la manopola MULTI JOG per impostare l'ora di inizio, quindi premere il pulsante ALARM 1.

## 4 Ruotare la manopola MULTI JOG per selezionare una sorgente (FM, AM o buzzer), quindi premere il pulsante ALARM 1.

- Non è possibile selezionare "AUX".
- Se si seleziona Buzzer, saltare al passo **7**.

## 5 Se si seleziona FM o AM al passo 4, sintonizzarsi su una stazione con la manopola MULTI JOG per selezionare <FREQ> o <PRESET> e premere il pulsante ALARM 1.

## 6 Ruotare la manopola Jog MULTI per selezionare una frequenza o stazione preselezionata e premere il pulsante ALARM 1.

## 7 Impostare il volume usando la manopola MULTI JOG, quindi premere il pulsante ALARM 1.

Si potrebbe anche lasciare l'unità inattiva per 10 secondi invece di premere il pulsante ALARM. In questo caso, il volume è impostato automaticamente a 15.

L'impostazione del timer è ora completata e il timer è attivato.

L'indicatore ALARM 1 si accende.



- 8** Premere il pulsante **STANDBY / ON** per spegnere l'unità (standby).



**Non dimenticare di spegnere l'unità (standby) o il timer non funzionerà.**

- Se l'unità viene scollegata dall'alimentazione o le batterie sono completamente scariche per circa un ora, le impostazioni di orologio e timer verranno perse.

**Se ALARM 2 si sovrappone ad ALARM 1:**

**Esempio:**

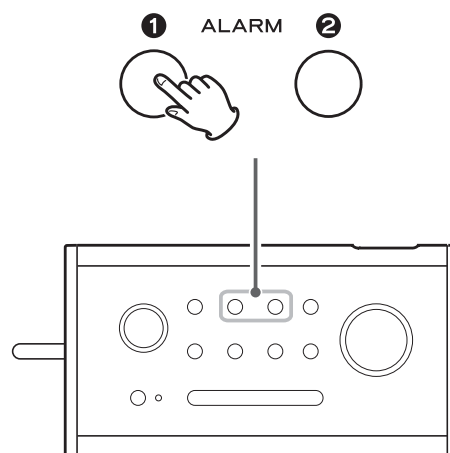
ALARM 1 (ora di inizio: 7:00, sorgente: FM)

ALARM 2 (ora di inizio: 7:30, sorgente: AM)

**Se si sovrappongono le impostazioni del timer, la sorgente cambia automaticamente con la prossima specificata quando arriva l'orario successivo.**

Nel caso del precedente esempio, l'unità si accende alle 7:00 con sintonizzatore FM selezionato, quindi la sorgente cambia al sintonizzatore AM alle 7:30. L'unità si spegne alle 8:30.

## Verificare il timer



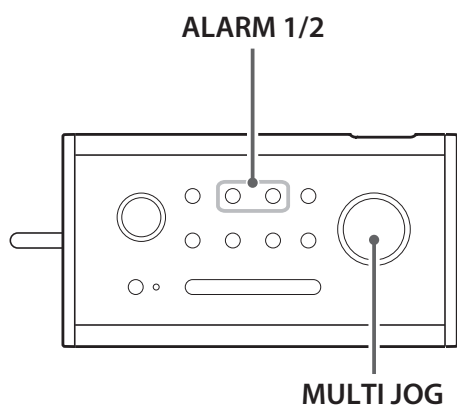
Premere il relativo allarme (ALARM 1 o ALARM 2) per controllare l'impostazione del timer.

Le impostazioni verranno mostrate una per una.

- Questa funzione non funziona se l'impostazione non è salvata nella memoria.
- Per uscire dalla modalità di controllo, premere il pulsante ALARM finché il display torna alla modalità normale o lasciare l'unità per circa 10 secondi.

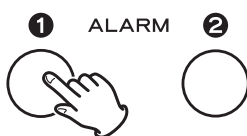
## Timer (2)

### Attivare e disattivare il timer



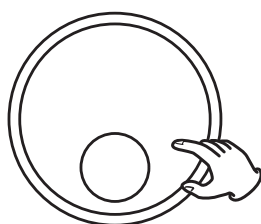
Dopo aver impostato il timer, è possibile attivarlo o disattivarlo.

#### **1** Tenere premuto il pulsante di allarme (ALARM 1 o 2) per più di 2 secondi.



“Set alarm <Off>” o “Set alarm <On>” appare sul display.

#### **2** Ruotare la manopola MULTI JOG per selezionare <ON> o <OFF>.



TUNING/  
MULTI JOG

#### **3** Premere il pulsante ALARM.



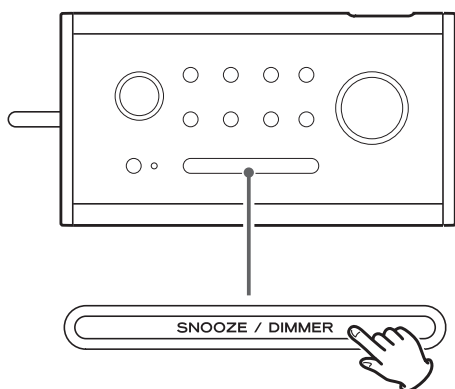
Quando l'allarme è attivato, l'indicatore dell'allarme (ALARM 1 e/o 2) si accende.

Assicurarsi di premere lo stesso pulsante ALARM al passo **1**.

## Snooze

È possibile mettere l'unità in modalità standby temporaneamente dopo che il timer accende l'unità.

Premere il pulsante SNOOZE/DIMMER.



L'indicatore SNOOZE e l'indicatore ALARM lampeggiano sul display e l'unità entra in modalità standby.

Dopo 5 minuti, l'apparecchio si accende nuovamente.

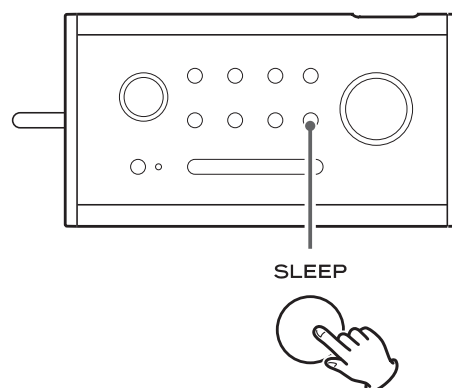
È possibile utilizzare questa funzione più volte per un massimo di 60 minuti.

- Premere il pulsante STANDBY/ON per annullare questa funzione.

## Timer di spegnimento

L'unità può essere messa in standby dopo un periodo di tempo specificato.

Premere ripetutamente il pulsante SLEEP fino a quando il tempo desiderato appare sul display.



### **SLEEP 90, 60, 45, 30 o 15:**

L'unità sarà messa in standby 90, 60, 45, 30 o 15 minuti dopo.

### **Display normale:**

Il timer di spegnimento è disattivato.

- Il display viene attenuato automaticamente quando il timer di spegnimento è attivo.

### **Controllare il tempo rimanente**

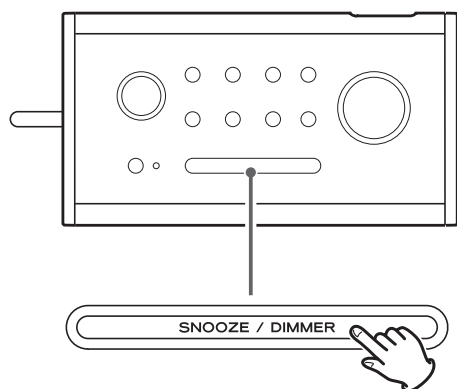
Premere il pulsante SLEEP una volta.

Il tempo rimanente viene visualizzato per 5 secondi e poi torna alla visualizzazione normale.

## Dimmer

È possibile regolare la luminosità dello schermo.

Premere il pulsante SNOOZE/DIMMER per regolare la luminosità del display.



La luminosità del display cambia come segue:

**Quando l'R-5 è utilizzato con l'alimentatore AC:**



**Quando l'R-5 è utilizzato a batteria:**



## Risoluzione dei problemi

Se si riscontrano problemi con il sistema, guardare questa tabella e vedere se è possibile risolvere il problema da soli prima di rivolgersi al rivenditore o al centro di assistenza TEAC.

### L'indicatore standby non si accende.

- ➔ Quando l'apparecchio è usato a batteria, l'indicatore non si accende per salvare la durata della batteria.

### Nessuna alimentazione

- ➔ Se le batterie sono scariche, collegare l'alimentatore AC per ricaricare le batterie.
- ➔ Controllare il collegamento alla rete di alimentazione AC. Controllare e assicurarsi che la sorgente AC non sia una presa commutata e che, se lo è, l'interruttore sia acceso. Assicurarsi che ci sia alimentazione alla presa di corrente collegando nella presa un altro dispositivo, come una lampada o una ventola.

### Nessun suono

- ➔ Accendere l'unità e regolare il volume.
- ➔ Selezionare la sorgente premendo il pulsante FUNCTION.
- ➔ Estrarre la spina della cuffia dalla presa PHONES.

### Il suono è disturbato.

- ➔ L'unità è troppo vicina a un televisore o apparecchi elettronici simili. Installare l'unità lontano da questi o spegnerli. Provare anche un'altra presa elettrica o utilizzare l'R-5 a batteria per vedere se il rumore proviene dal collegamento elettrico.

## Specifiche

### Non è possibile ascoltare qualsiasi stazione o il segnale è troppo debole.

- ➔ Sintonizzarsi sulla stazione correttamente.
- ➔ Per la ricezione di una trasmissione AM:
  - Quando l'apparecchio viene usato all'aperto, ruotare l'apparecchio per la ricezione ottimale.
  - Quando l'unità viene utilizzata in casa, collegare l'antenna in dotazione.
- ➔ Per ricevere una trasmissione FM, allungare l'antenna telescopica e ruotarla per la migliore ricezione.

### Il timer non funziona.

- ➔ Non dimenticare di spegnere l'unità (standby) (vedi pagina 96).
- ➔ Impostare l'allarme su <ON> (vedere pagina 98).

**Se non può essere ristabilito un funzionamento normale, rimuovere la batteria e scollegare l'alimentatore AC, attendere un po' quindi installare il pacco batteria e collegare l'alimentatore AC di nuovo.**

### Range di frequenza

FM .....da 87.50 MHz a 108.00 MHz  
(a passi di 50 kHz)  
AM..... da 530 kHz a 1,710 kHz  
(a passi di 10 kHz)

### Altoparlante

Tipo.....65 mm  
Impedenza..... 6 ohm

### Generali

Potenza di uscita .....1,5 W  
Alimentazione (alimentatore AC)  
230 V, 50 Hz  
Consumo .....5 W (in funzione)  
15 W (durante la carica)  
Dimensioni (L x A x P)... 240 x 130 x 122 mm  
Peso.....1,2 kg (inclusa la batteria)

### Accessori Standard

Alimentatore AC x 1  
Antenna AM da interno x 1  
Cavo mini presa stereo x 1  
Manuale di istruzioni x 1  
Cartolina di garanzia x 1

- Disegno e specifiche sono soggetti a cambiamenti senza preavviso.
- Le illustrazioni possono differire leggermente dai modelli in produzione.

## Per gli utenti europei

### Informazioni per gli utenti sulla raccolta e smaltimento di vecchi apparecchi e batterie

Questi simboli sui prodotti, sulle confezioni, e/o documenti accompagnatori significano che i vecchi prodotti elettrici ed elettronici e le batterie usate non dovrebbero venire smaltire con la normale spazzatura. Per il trattamento appropriato, il recupero e il riciclaggio di vecchi prodotti e batterie usate, è necessario portarli nei punti di raccolta, in accordo alla legislazione locale e le direttive 2002/96/EC e 2006/66/EC.

Procedendo allo smaltimento corretto degli apparecchi e delle batterie, si risparmiano risorse e si prevengono effetti negativi per l'ambiente e la salute umana che invece insorgerebbero con l'inadeguato smaltimento.

Per ulteriori informazioni sullo smaltimento e il riciclaggio di prodotti usati e batterie esauste, si prega di contattare l'amministrazione locale.

### Informazioni sullo smaltimento in altri Paesi al di fuori dell'Unione Europea

Questi simboli sono validi solo per l'Unione Europea. Se si desidera smaltire questi articoli, si prega di contattare l'autorità locale o il proprio rivenditore per un corretto smaltimento.

### Nota per il simbolo di batteria (in basso a destra un simbolo di esempio):

Questo simbolo potrebbe essere usato in combinazione con un simbolo chimico. In tal caso, implica che il requisito della suddetta direttiva coinvolge anche gli agenti chimici.



# Inhoud

**Dank u voor het kiezen van TEAC. Lees deze handleiding zorgvuldig voor optimale prestaties met het apparaat.**

Voordat u Begint.....	104
Oplaadbare batterijen.....	104
Aansluitingen.....	106
Bedieningsorganen .....	108

Klok Gelijkzetten.....	110
------------------------	-----

Luisteren naar de Radio.....	111
Voorkeurzenders.....	112
RDS (Radio Data System) .....	113

Luisteren naar een Externe Bron .....	114
Klankregeling .....	115
Hoofdtelefoon.....	115

Timer.....	116
Sluimerfunctie.....	119
Dimmer .....	120

Problemen.....	120
Technische Gegevens.....	121

- Stel dit apparaat niet bloot aan regen of spatten.
- Plaats geen met vloeistof gevulde voorwerpen zoals vazen op het apparaat.
- Plaats het apparaat niet in een afgesloten ruimte zoals een kast o.i.d.
- Ook uitgeschakeld neemt het apparaat een geringe stroom op wanneer de STANDBY/ON of POWER schakelaar niet op ON staat.
- Plaats het apparaat dicht genoeg bij een stopcontact om snel de stekker uit te kunnen trekken in geval van nood.
- De stekker fungeert als hoofdschakelaar en dient altijd bereikbaar te zijn.
- Wanneer in het product batterijen aanwezig zijn (zoals een accu of losse batterijen) deze niet blootstellen aan zonlicht, vuur of excessieve warmte.
- Waarschuwing voor producten met verwisselbare lithium batterijen: er is het gevaar van explosie wanneer de verkeerde batterij wordt ingezet. Gebruik ter vervanging uitsluitend hetzelfde of een gelijkwaardig type.

## Voordat u Begint

- Het apparaat wordt tijdens gebruik warm; zorg daarom altijd voor voldoende ruimte rond het apparaat voor ventilatie.
- Controleer of de plaatselijke netspanning overeenkomt met die welke op de achterzijde van het apparaat staat aangegeven. Twijfelt u, raadpleeg dan een elektricien.
- Kies de plaats waar u het apparaat gaat opstellen zorgvuldig. Vermijd opstelling in direct zonlicht of bij een warmtebron. Vermijd ook plaatsen met excessieve trillingen, stof, warmte, koude of vocht.
- Plaats het apparaat niet op een versterker of receiver.
- Open het apparaat niet daar dit kan leiden tot schade aan de elektronica of elektrische schokken. Zou een vreemd voorwerp in het apparaat zijn gekomen,, neem dan contact op met uw leverancier of met een servicedienst.
- Trek bij het verwijderen van de stekker uit het stopcontact altijd aan de stekker en niet aan het snoer.
- Bewaar deze handleiding op een veilige plaats voor later gebruik.

## Onderhoud

Wanneer de buitenzijde van het apparaat vuil wordt, veegt u het schoon met een zachte doek, eventueel bevochtig met een sopje van een mild reinigingsmiddel. Maak het oppervlak weer droog met een zachte droge doek. Gebruik nooit benzine, verdunner of alcohol daar dit de afwerking kan aantasten. Zorg dat het apparaat droog is voordat u het weer gebruikt.

## Oplaadbare Batterijen

De R-5 werkt met een Nikkel-Metal-Hydride accu die in het accuvak is ondergebracht. Zolang de lichtnetadapter is aangesloten op de R-5 en met het stopcontact is verbonden, zullen de accu's volledig opgeladen blijven voor het geval u de R-5 op accu wilt laten werken. De R-5 werkt gedurende 5 uur op de accu's wanneer deze volledig zijn opgeladen. (Met het volume in stand 20.)

- Wanneer de R-5 niet wordt gebruikt, maar wel op het lichtnet is aangesloten, worden de accu's in ca. 24 uur volledig opgeladen.
- Het duurt ongeveer 4 complete laad en ontlad cycli voordat de accu's hun volledige capaciteit bereiken wanneer de R-5 nieuw is of meerdere weken niet is gebruikt. Wij raden u aan de R-5 bij eerste gebruik minimaal 12 uur op het lichtnet aangesloten te laten.
- Is de R-5 eenmaal volledig opgeladen in STANDBY, neem dan de stekker niet uit het stopcontact en zeker niet meteen weer in het stopcontact. Dat herstart het opladen, ondanks het feit dat de accu's al volledig zijn opgeladen. Wanneer u dat vaker doet, zullen de accu's worden beschadigd.
- Once the R-5 has been fully charged while it is STANDBY, do not unplug the AC adaptor and then immediately plug it again. This will restart the charging cycle even though the batteries are fully charged. Doing this repeatedly will damage the batteries.
- Wanneer de R-5 niet op het lichtnet is aangesloten, zullen de accu's langzaam ontladen als beveiliging.
- Door regelmatig te laden, loopt de capaciteit van een Nikkel-Metal-Hydride accu terug; we noemen dit het "Memory Effect". Om dit te voorkomen, dienen accu's soms geheel te worden ontladen en weer opgeladen. Ontladen doet u door de lichtnetadapter los te nemen en de R-5 aan te laten staan tot deze zichzelf uitschakelt. Meent u dat de accucapaciteit terugloopt, laat de accu dan enige weken ongebruikt.

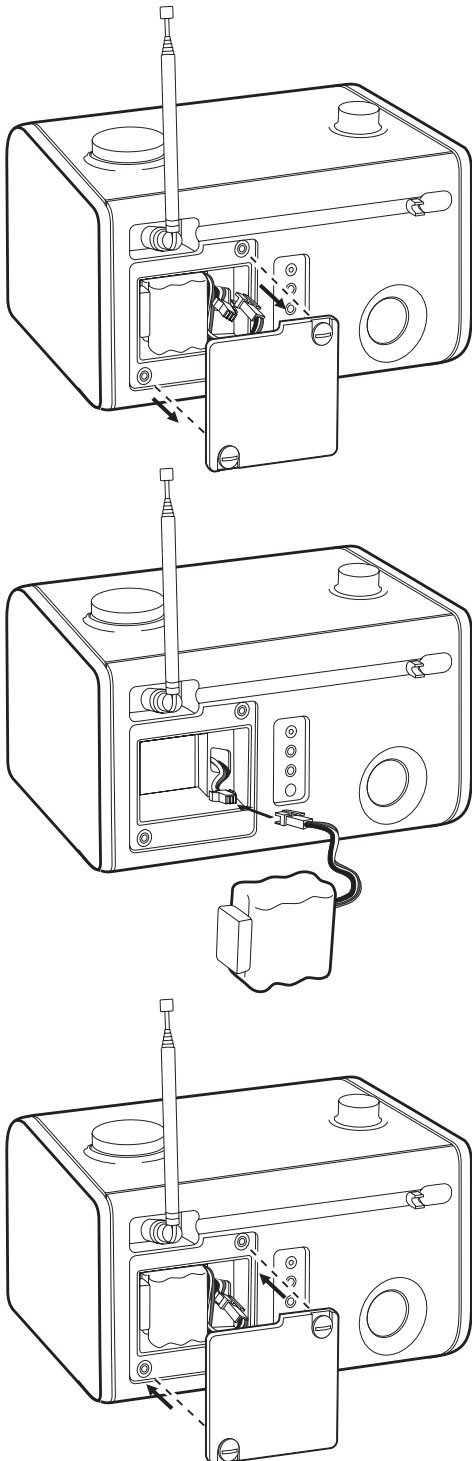


## Aansluiten van de accu

Het accupak is niet aangesloten om te voorkomen dat het leeg raakt voordat u het product aanschaft.

Verbind het accupak voordat u begint.

1. Verwijder het deksel van het accuvak.
2. Sluit het accupak aan.
3. Sluit het deksel.



## Vervangen van de accu

Wanneer de accu's uitgeput zijn, vervangt u deze door een nieuwe.

1. Verwijder het deksel van het accuvak
2. Neem het accupak los en verwijder het.
3. Zet een nieuw accupak in en sluit het aan.
4. Sluit het deksel.

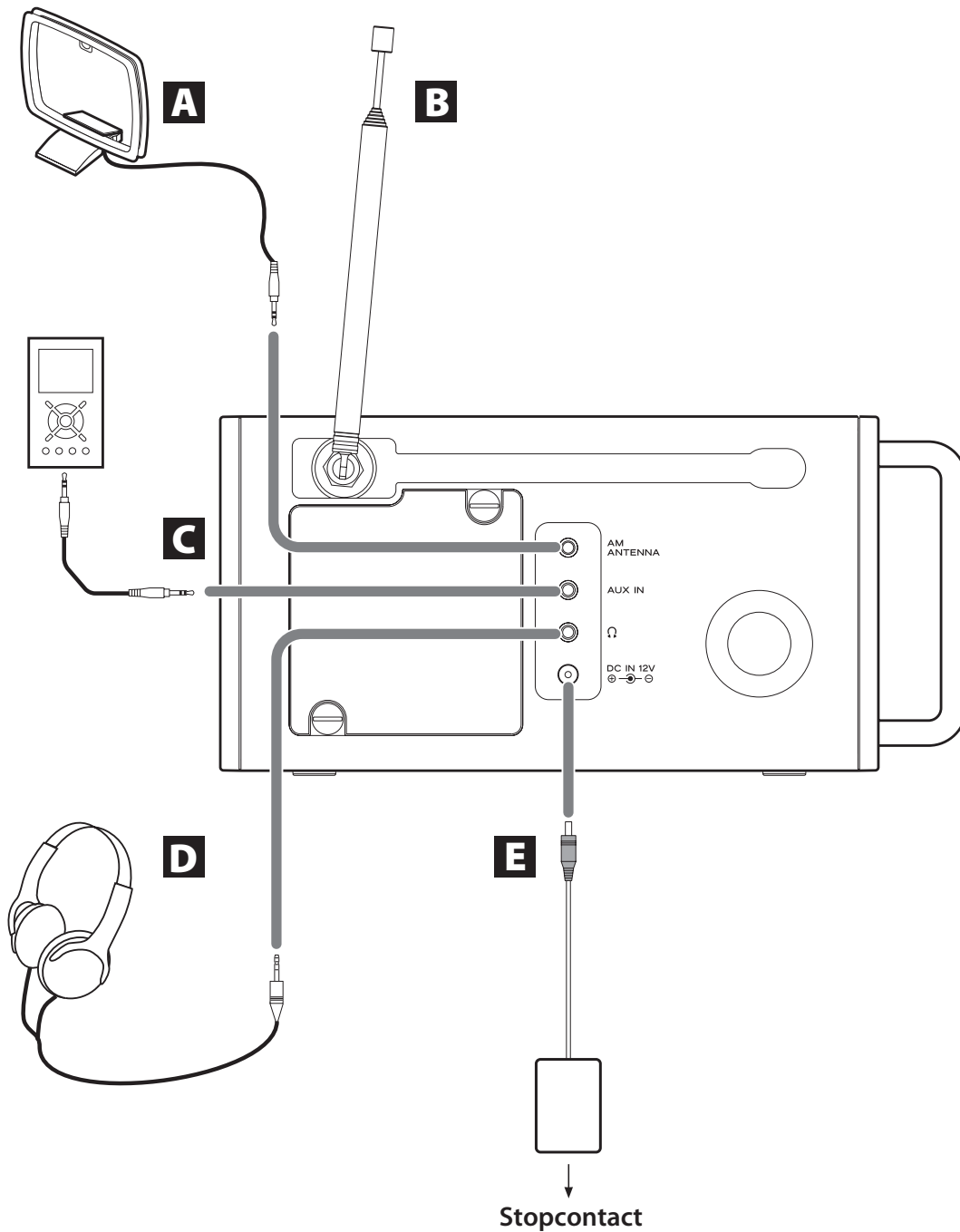
### **Waarschuwing:**

- Verhit of demonteer accu's of batterijen nooit. Werp gebruikte accu's of batterijen nooit in het vuur.

# Aansluitingen

## Waarschuwing:

- Schakel het apparaat uit voordat u het gaan aansluiten.
- Lees de aanwijzingen van elk product dat u met dit apparaat wilt gaan gebruiken.
- Sluit elke plug stevig aan. Om brom en ruis te voorkomen de kabels niet bundelen.

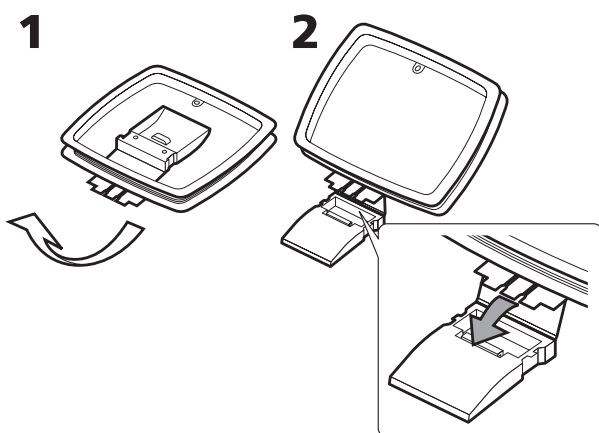


## **A** AM Kamerantenne

Het apparaat heeft een ingebouwde AM-antenne. Toch kan bij gebruik binnenshuis de kamerantenne nodig zijn.

### **Opstellen van de kamerantenne**

Om de antenne op een vlakke ondergrond op te stellen bevestigt u de klem in de opening van de antennevoet.



Verbind de antenne met de AM antenneingang.

Plaats de antenne op een boekenplank of hang hem aan een raam, o.i.d. in de richting die de beste ontvangst geeft.

## **B** FFM Telescopische Antenne

Trek de telescoop antenne geheel uit en richt hem voor optimale ontvangst.

## **C** AUX ingang

Op deze ingang kan een draagbare audiospeler worden aangesloten.

Verbind de lijnuitgang (LINE OUT) of de hoofdtelefoonuitgang (PHONES) met de bijgevoegde stereo cinch-minijack kabel.

Bij gebruik van de hoofdtelefoonuitgang van een aangesloten apparaat, dient u daarop het volume in te stellen anders hoort u niets via de R-5.

- Door het volume van het aangesloten apparaat te hoog in te stellen, kan het geluid via de R-5 vervormen. In dat geval reduceert u het volume tot de vervorming verdwijnt en u regelt dan het volume op de R-5.

## **D** PHONES (Hoofdtelefoon)

Om te luisteren zonder anderen te storen verbindt u de hoofdtelefoonplug met deze aansluiting en regel het volume met VOLUME.

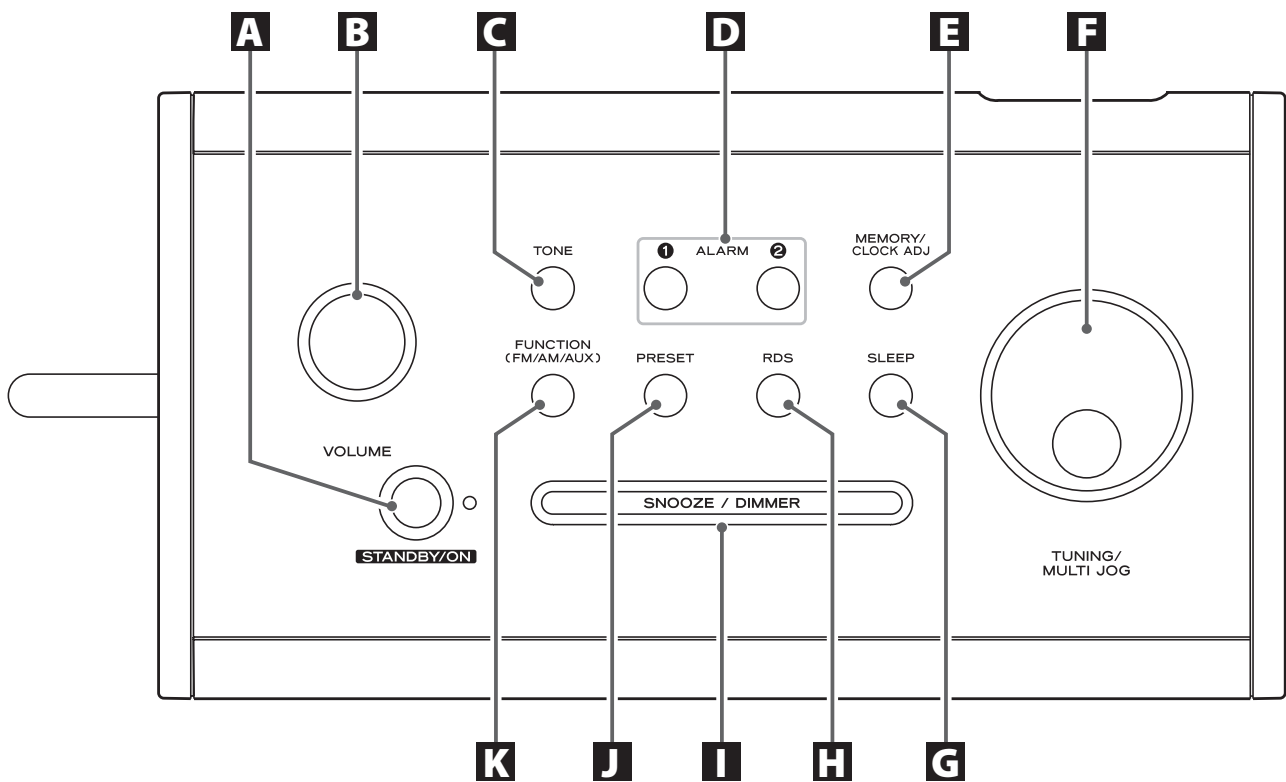
- U kunt in stereo luisteren bij ontvangst van een FM-stereo uitzending.

## **E** DC IN

Verbind de lichtnetadapter met deze aansluiting. Steek dan de stekker van de adapter in het stopcontact.

- ⚠ Gebruik geen andere lichtnetadapter dan de bijgeleverde om brand, schokken en dergelijke te voorkomen. Sluit de adapter uitsluitend aan op een lichtnet met de juiste spanning.

# Bedienungsorganen



## **A** **STANDBY/ON**

Indrukken om het apparaat in te schakelen en weer in standby te zetten.

De indicatie licht op wanneer het apparaat in standby staat en de lichtnetadapter is aangesloten. Bij gebruik op de ingebouwde accu licht de indicatie niet op om accuspanning te sparen.

## **B** **VOLUME**

Draai aan deze knop om het volume te regelen.

## **C** **TONE (klankregeling)**

Gebruik deze knop in combinatie met MULTI JOG om de lage en hoge tonen te regelen.

## **D** **ALARM 1/2**

Hiermee stelt u de timers in.

## **E** **MEMORY/CLOCK ADJ** **(klok gelijkzetten)**

Hiermee slaat u zenders op in het geheugen en zet u de klok gelijk.

Om de klok in te stellen houdt u deze toets langer dan 2 seconden vast en u zet de klok gelijk met MULTI JOG.

## **F** **TUNING/MULTI JOG**

Bij AM of FM ontvangst draait u hieraan om een zender af te stemmen.

Wordt ook gebruikt voor het instellen van de tijd, timerinstellingen enz.

## **G** **Sluimerfunctie**

Hiermee stelt u de sluimerfunctie in.

## **H** **RDS (Radio Data Systeem)**

Kies hiermee een RDS-functie bij het luisteren naar een FM-uitzending.

## **I** **SNOOZE/DIMMER**

Hiermee zet u het apparaat tijdelijk in standby en dimt u de display.

Wanneer de timer het apparaat inschakelt, drukt u op deze toets om het weer voor 5 seconden in standby te zetten.

Ook stelt u hiermee de helderheid van de display in.

## **J** **PRESET**

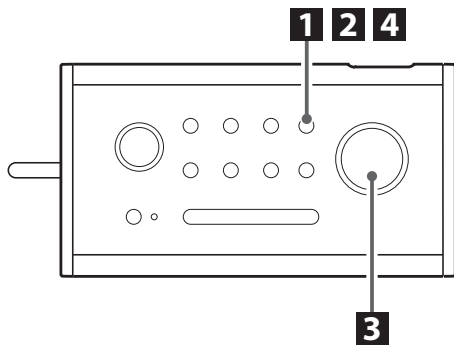
Hiermee kiest u een voorkeurzender.

## **K** **FUNCTION (FM/AM/AUX)**

Hiermee kiest u FM, AM of AUX.

Wanneer een component is verbonden met AUX IN, kiest u AUX om naar die externe bron te luisteren.

# Klok Gelijkzetten



- 1** Houd MEMORY/CLOCK ADJ langer dan 2 seconden vast.

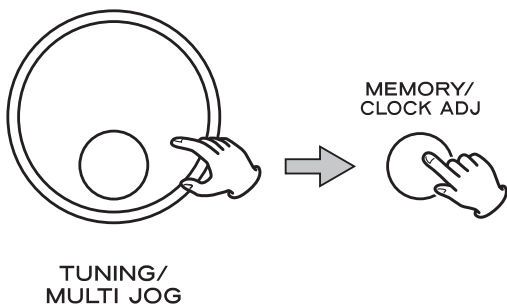
MEMORY/  
CLOCK ADJ



“Time Mode <24 Hours>” verschijnt.

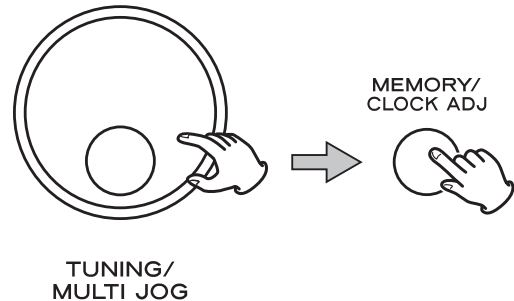
- Drukt u niet binnen 10 seconden op een toets, dan vervalt het gelijkzetten.

- 2** Wanneer u de uren cyclus wilt wijzigen, draait u aan MULTI JOG om een 12 of 24 uren cyclus te kiezen en u drukt op MEMORY/CLOCK ADJ.



De standaard instelling is 24 uur.

- 3** Draai aan MULTI JOG om de tijd in te stellen en druk op MEMORY/CLOCK ADJ.



De klok start bij 00 seconden.

- 4** Herhaal stap 3 om het jaar, de maand en de dag in te stellen.

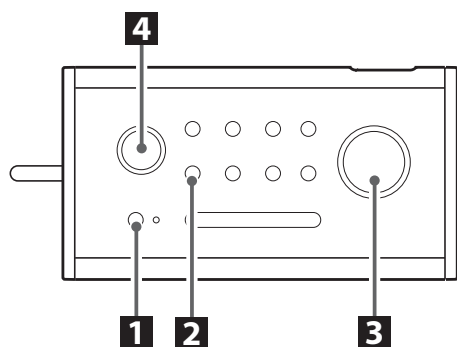
- Wanneer het apparaat niet op het lichtnet is aangesloten en de accu's zijn minder dan een uur opgeladen, zullen de klok en timer gegevens verloren gaan.

## Zomertijd instellen

Druk tegelijk op MEMORY/CLOCK ADJ en SLEEP om de zomertijd te kiezen. De klok gaat nu een uur vooruit.

Om weer de wintertijd in te stellen drukt u weer tegelijk op MEMORY/CLOCK ADJ en SLEEP waarop de klok een uur terug gaat.

# Listening to the Radio



## 1 Druk op STANDBY/ON om het apparaat in te schakelen.



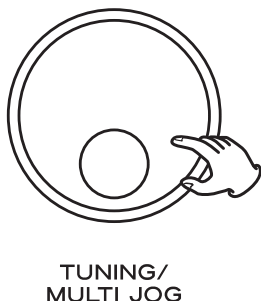
De standby indicatie dooft.

- Het apparaat schakelt in op de laatst gebruikte bron.

## 2 Kies AM of FM met FUNCTION.



## 3 Draai aan TUNING om een zender af te stemmen.



### Zelf afstemmen

Draai aan MULTI JOG tot de zender waar u naar wilt luisteren is gevonden.

De frequentie wijzigt in een vast raster.

### Automatisch afstemmen

Druk MULTI JOG in om het automatisch afstemmen te starten.

Zodra een zender wordt gevonden, zal de tuner deze automatisch afstemmen.

Herhaal deze stap tot de gezochte zender is gevonden.

### Voorkeurzenders

Druk herhaaldelijk op PRESET om een voorkeurzender te kiezen.

De gekozen voorkeurzender wordt afgestemd.

- Het instellen van voorkeurposities vindt u op pagina 112.

## 4 Draai aan VOLUME om het volume te regelen.



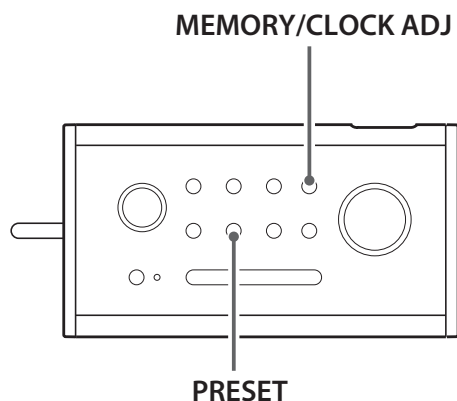
Het niveau kan worden geregeld van 00 tot 30.

### Wanneer de AM-ontvangst zwak is

Voor optimale ontvangst wijzigt u de positie van het apparaat of de antenne die is aangesloten tot de zender goed wordt ontvangen.

### Wanneer de FM-ontvangst zwak is

Voor optimale ontvangst richt u de uitschuifbare antenne tot de zender goed wordt ontvangen.



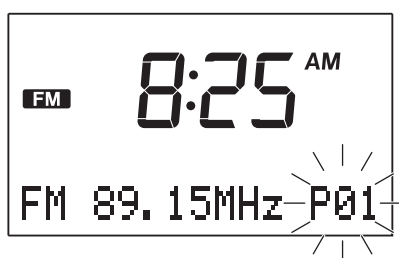
U kunt maximaal 10 FM en 10 AM zenders in het geheugen opslaan.

**1** Stem de zender waar u naar wilt luisteren af (zie stap **2** en **3** op pagina 111).

**2** Druk op MEMORY/CLOCK ADJ.



De indicatie PRESET en een kanaalnummer knipperen in de display.



**3** Kies binnen 5 seconden een voorkeurpositie om de zender op te slaan door herhaaldelijk op PRESET te drukken.



**4** Druk binnen 5 seconden op MEMORY/CLOCK ADJ.



De zender wordt in het geheugen opgeslagen.

Herhaal de stappen **1** t/m **4** om andere zenders op te slaan.

## Kiezen van voorkeurposities

Druk herhaaldelijk op PRESET tot u de gewenste zender heeft gevonden.



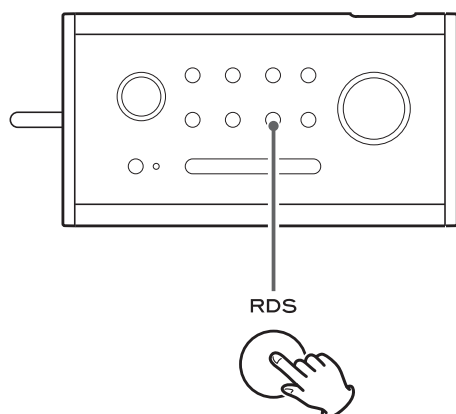


Het Radio Data Systeem (RDS) is een service van de zendgemachtigden waarmee de zender extra informatie kan doorsturen naast het reguliere programma.

## RDS werkt alleen in Europa op de FM-band.

**1** Stem op een FM-zender af (pagina 111).

**2** Druk op RDS.



Telkens wanneer u op RDS drukt, wisselt de RDS-functie als volgt:

### RDS Programmatype (PTY)

Geeft het type programma aan. Wanneer geen gegevens beschikbaar zijn, geeft de display "NO PTY" aan.

### RDS Radio Tekst (RT)

De display geeft 64 karakters tekstinformatie van de zender aan. Wanneer geen gegevens beschikbaar zijn, geeft de display "NO TEXT" aan.

### RDS Clock time (CT)

Geeft de juiste tijd en datum van de zender aan. Kiest u RDS Clock Time, dan zal de display de door de zender uitgezonden tijd aangeven.

## RDS off (uit – normale uitlezing)

De klok wordt automatisch gelijkgezet aan de hand van de CT gegevens.

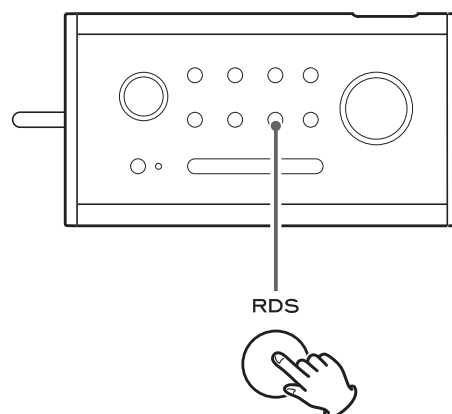
Stemt u af op een zender in een andere tijdzone, Engeland bijvoorbeeld, dan wordt de klok verkeerd ingesteld, wat ook invloed heeft op de timerinstelling!

Wanneer u de tijd niet automatisch wilt laten corrigeren aan de hand van de CT data, schakel automatisch gelijkzetten dan uit.

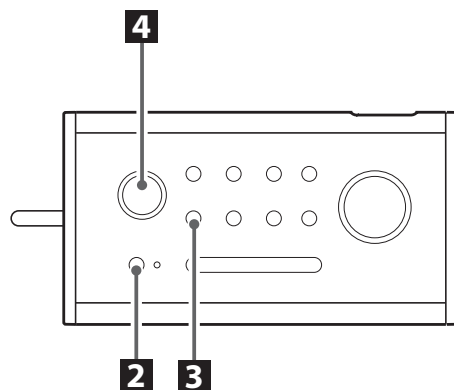
- Wanneer de auto klok instelling ingeschakeld is, maakt het niet uit welke RDS functie is gekozen; het apparaat ontvangt de CT data en zet de klok gelijk.

**Om automatisch gelijkzetten in- of uit te schakelen, houdt u RDS langer dan 2 seconden ingedrukt.**

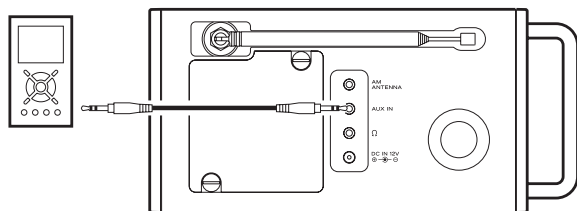
"CT ON" of "CT OFF" verschijnt kort in de display.



# Luisteren naar een Externe Bron



- 1** Verbind een externe audiospeler met de AUX-ingang van de R-5 via de bijgeleverde stereo cinch/minijack-kabel.



- 2** Druk op **STANDBY/ON** om het apparaat in te schakelen.



- 3** Druk herhaaldelijk op **FUNCTION** om de AUX-ingang te kiezen.

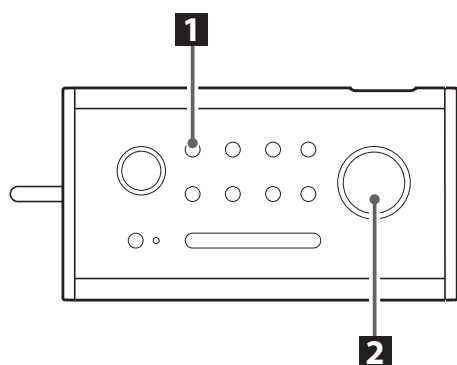


- 4** Speel de bron af en regel het volume met **VOLUME** op de R-5 en op de audiospeler.



Wanneer u de hoofdtelefoonuitgang van de bron gebruikt dient dat volume te worden ingesteld, anders zal er geen geluid uit de R-5 komen.

## Klankregeling



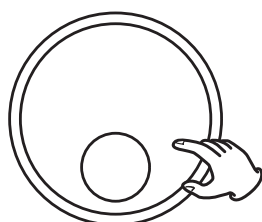
- 1 Druk herhaaldelijk op TONE om het item dat u wilt instellen te kiezen.**



Regel het aandeel van de lage tonen door "Set Bass" te kiezen.

Regel het aandeel van de hoge tonen door "Set Treble" te kiezen.

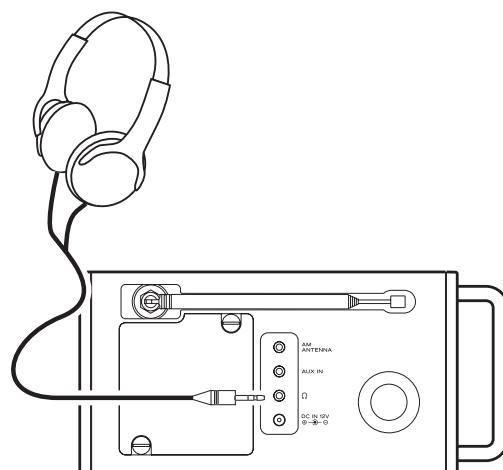
- 2 Draai aan MULTI JOG om de instelling te wijzigen.**



TUNING/  
MULTI JOG

Het niveau kan worden ingesteld van "-4" tot "+4".

## Hoofdtelefoon



Sluit de hoofdtelefoon aan op de PHONES uitgang (Ω) en regel het volume.

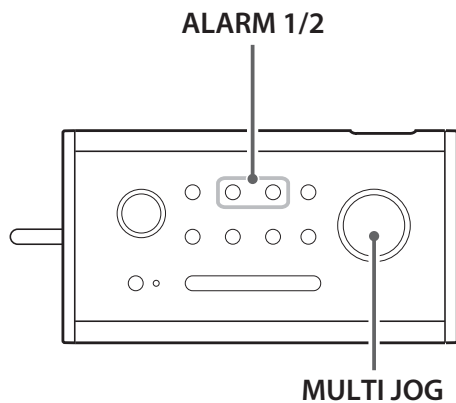
Bij een FM-stereo uitzending kunt u met een stereo hoofdtelefoon de uitzending in stereo beluisteren.

Ook kunt u een stereo bron aangesloten op de AUX-ingang in stereo beluisteren.

### Waarschuwing

Neem altijd het volume terug voordat u de hoofdtelefoon aansluit. VOORKOM BESCHADIGING VAN UW GEHOOR – zet de hoofdtelefoon pas op nadat u deze heeft aangesloten.

# Timer (1)

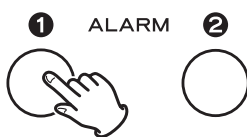


- Het apparaat kan worden geprogrammeerd om op een vooraf bepaalde tijd in te schakelen. 60 Minuten na de opgegeven tijd zal het apparaat automatisch uitschakelen.
- Er kunnen twee onafhankelijke timer instellingen in het geheugen worden opgeslagen.
- Zet eerst de klok gelijk.

Hieronder wordt het instellen van ALARM 1 beschreven.

Het instellen van ALARM 2 verloopt identiek.

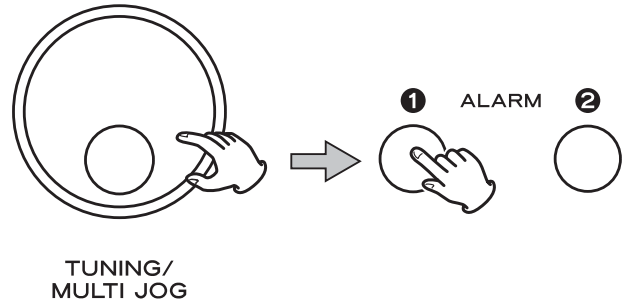
## 1 Druk op ALARM 1 en houd deze meer dan 2 seconden vast.



"Set Alarm <Off>" verschijnt in de display.

- Wanneer u niet binnen 10 seconden op een toets drukt, vervalt het instellen van de timer.

## 2 Draai aan MULTI JOG om <ON> te kiezen en druk op ALARM 1.



## 3 Draai aan MULTI JOG om de starttijd in te stellen en druk op ALARM 1.

## 4 Draai aan MULTI JOG om de bron te kiezen (FM, AM of zoemer) en druk op ALARM 1.

- "AUX" kan niet worden gekozen.
- Wilt u de zoemer kiezen, ga dan naar stap **7**.

## 5 Wanneer u in stap 4 FM of AM heeft gekozen, stem dan af op een zender met MULTI JOG om <FREQ> of <PRESET> te kiezen en druk op ALARM 1.

## 6 Draai aan MULTI JOG om een frequentie of voorkeurzender te kiezen en druk op ALARM 1.

## 7 Stel het volume in met MULTI JOG en druk op ALARM 1.

U kunt ook het apparaat 10 seconden niet bedienen in plaats van op ALARM 1 drukken. In dat geval wordt automatisch volume 15 gekozen.

Het instellen van de timer is nu gereed en de timer is actief.

De indicatie ALARM 1 licht op.

**8** Druk op **STANDBY/ON** om het apparaat uit te schakelen (standby).



**Vergeet niet het apparaat uit te schakelen (standby) anders zal de timer niet werken.**

- Wanneer het apparaat niet op het lichtnet is aangesloten en de accu's zijn minder dan een uur opgeladen, zullen de klok en timer gegevens verloren gaan.

**Wanneer ALARM 1 en ALARM 2 elkaar overlappen:**

**Voorbeeld:**

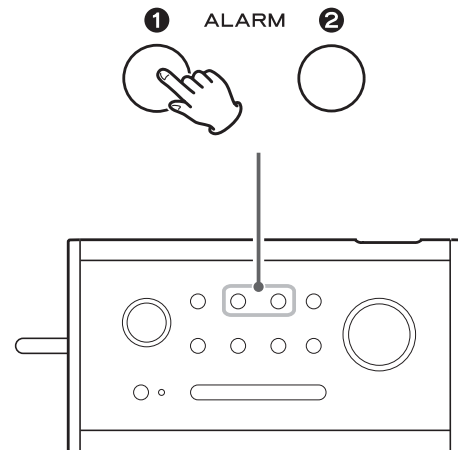
ALARM 1 (Starttijd: 7:00, Bron: FM)

ALARM 2: (Starttijd: 7:30, Bron: AM)

**Wanneer de tijden elkaar overlappen wordt automatisch naar de bron van de tweede instelling overgeschakeld zodra die tijd wordt bereikt.**

In het bovenstaande geval schakelt het apparaat om 7:00 uur in op FM als gekozen en om 7:30 schakelt het over naar 7:30 om 8:30 uit te schakelen.

## Controleren van de timer instellingen

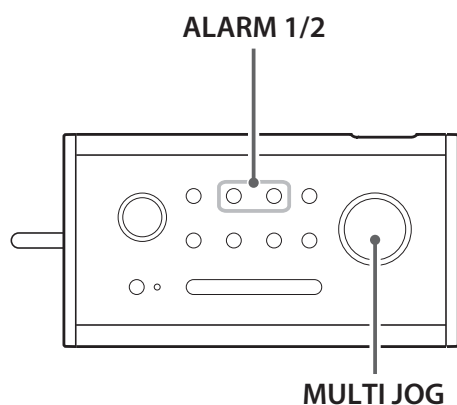


Druk op desbetreffende ALARM (1 of 2) toets om de instelling te controleren. De instellingen verschijnen één voor één.

- De controle werkt niet wanneer geen instelling is opgeslagen.
- Om het controleren te verlaten drukt u herhaaldelijk op ALARM tot het apparaat terugkeert naar de normale functie of druk gedurende 10 seconden op geen enkele toets.

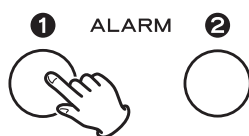
## Timer (2)

### Timer in- en uitschakelen



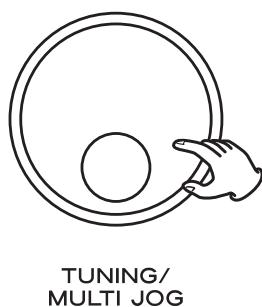
Nadat de timer is ingesteld, kunt u deze in of uit schakelen.

#### **1** Druk langer dan 2 seconden op ALARM (1 of 2).



"Set alarm <Off>" of "Set alarm <On>" verschijnt in de display.

#### **2** Draai aan MULTI JOG om <On> of <Off> te kiezen.



#### **3** Druk op ALARM.



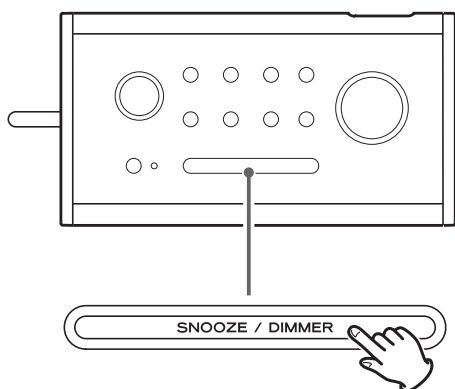
Wanneer het alarm actief is, licht Alarm (1 en/ of 2) op.

Denk eraan in stap **1** de juiste ALARM in te drukken!

## Snooze

U kunt het apparaat tijdelijk op standby zetten nadat de timer het apparaat heeft ingeschakeld.

Druk op SNOOZE/DIMMER.



De SNOOZE en ALARM indicaties knipperen in de display en het apparaat gaat in STANDBY.

Na 5 minuten schakelt het apparaat weer in.

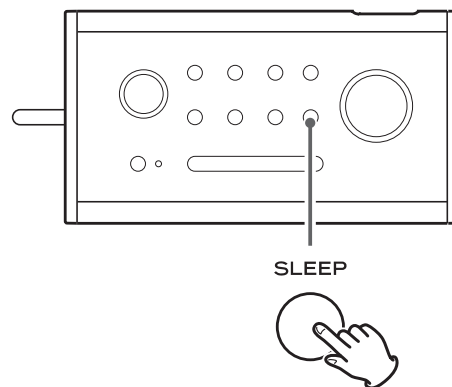
U kunt deze functie herhaaldelijk gedurende 60 minuten gebruiken.

- Druk op STANDBY/ON om de functie te stoppen.

## Sluimerfunctie

De sluimerfunctie schakelt het apparaat na een vooraf bepaalde tijd op standby.

Druk herhaaldelijk op SLEEP tot de gewenste tijd in de display verschijnt.



### **SLEEP 90, 60, 45, 30 of 15:**

Het apparaat gaat na 90, 60, 45, 30 of 15 minuten in standby.

### **Normale display:**

De sluimerfunctie is niet actief.

- De display wordt automatisch gedimd wanneer de sluimerfunctie actief is.

### **Controleren van de resterende tijd**

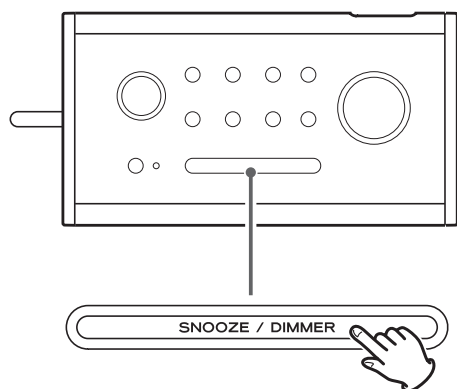
Druk eenmaal op SLEEP.

De resterende tijd wordt gedurende 5 seconden aangegeven en keert terug naar de normale uitlezing.

## Dimmer

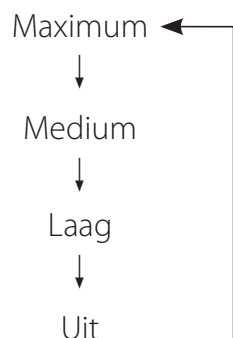
De helderheid van de display kunt u instellen.

Druk op SNOOZE/DIMMER om de helderheid in te stellen.

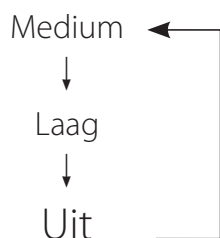


De helderheid van de display wisselt als volgt:

**Wanneer de R-5 wordt gebruikt op lichtnetspanning:**



**When the R-5 is used on battery power:**



## Problemen

Wanneer u problemen heeft met uw systeem, raadpleeg dan eerst dit overzicht en kijk of u het zelf kunt oplossen voordat u een TEAC servicedienst belt.

### Standby indicatie licht niet op.

- ➔ Wanneer het apparaat wordt gebruikt op accuspanning licht de indicatie niet op om stroom te sparen.

### Geen spanning

- ➔ Wanneer de accu's leeg zijn, sluit dan de lichtnetadapter aan en laadt de accu's.
- ➔ Controleer de verbinding met het lichtnet. Controleer of er spanning op het stopcontact staat en of het is ingeschakeld. Controleer of het stopcontact spanning voert met een lamp o.i.d.

### Geen geluid

- ➔ Schakel het apparaat in en regel het volume.
- ➔ Kies de bron met FUNCTION.
- ➔ Trek de hoofdtelefoonplug uit PHONES.

### Het geluid ruist.

- ➔ Het apparaat staat te dicht bij een TV of soortgelijk apparaat. Zet het verder van het storende apparaat of schakel het uit. Probeer ook een ander stopcontact of ga over op accuvoeding om te zien of de ruis uit het elektrisch systeem komt.

### Kan niet naar een zender luisteren, c.q. signaal is te zwak.

- ➔ Stem correct af op de zender.
- ➔ Bij AM-ontvangst:
  - Bij gebruik buiten: draai het apparaat voor optimale ontvangst.
  - Bij gebruik binnen: sluit de bijgevoegde kamerantenne aan.
- ➔ Bij FM-ontvangst: trek de telescoop antenne uit en richt deze voor optimale ontvangst.



## Technische Gegevens

### Timer werkt niet.

- ➔ Vergeet niet het apparaat op standby te zetten (pagina 116).
- ➔ Zet het alarm op <ON> (pagina 118).

**Wanneer normaal gebruik niet mogelijk is, verwijdert u het accupak en u neemt de stekker uit het stopcontact en na korte tijd brengt u het accupak weer aan en u steekt de stekker weer in het stopcontact.**

### Ontvangstbereik

FM .....87,50 – 108,00 MHz (50 kHz raster)  
AM.....530 – 1710 kHz (9 kHz raster)

### Luidspreker

Type .....65 mm  
Impedantie..... 6 ohm

### Algemeen

Uitgangsvermogen.....1,5 W  
Lichtnetvoeding (lichtnetadapter)  
230 V, 50 Hz  
Opgenomen Vermogen..... 5 W (werkend)  
15 W (tijdens opladen)  
Afmetingen (B x H x D) .. 240 x 130 x 122 mm  
Gewicht..... 1,2 kg (incl. accu)

### Bijgeleverde Toebehoren

1 x Lichtnetadapter  
1 x AM kamerantenne  
1 x Stereo minijack kabel  
1 x Handleiding  
1 x Garantiebewijs

- Vormgeving en specificaties kunnen zonder voorafgaande kennisgeving worden gewijzigd.
- Afbeeldingen kunnen licht afwijken van de werkelijkheid.

## Voor Europese Gebruikers

### Informatie voor Gebruikers Over het Verzamelen en Verwerken van Oude Apparatuur en Gebruikte Batterijen

Deze symbolen op de producten, de verpakking en/of bijbehorende documenten, betekenen dat gebruikte elektrische en elektronische producten en batterijen niet met het huisvuil mogen worden weggegooid. Voor een juiste behandeling, verwerking en recycling van oude producten en gebruikte batterijen kunt u terecht bij de daarvoor aangewezen depots in overeenstemming met de plaatselijke wetgeving en de richtlijnen 2002/96/EU en 2006/66/EU.

Door deze producten en de batterijen correct te behandelen, helpt u waardevolle materialen te behouden en eventuele negatieve effecten op de gezondheid en het milieu ten gevolge van onverantwoorde behandeling te voorkomen.

Nadere informatie over het verzamelen en recyclen van oude producten en batterijen kan de plaatselijke milieudienst u geven en anders de leverancier van het product.

### Informatie over het Afvoeren in Landen Buiten de Europese Unie

Deze symbolen gelden alleen voor de Europese Unie en wanneer u deze producten wilt afvoeren, neem dan contact op met de plaatselijke autoriteiten of uw leverancier voor de juiste wijze van afvoeren.

### Opmerking over het batterij symbool (hieronder rechts twee voorbeelden):

Dit symbool kan worden gebruikt in combinatie met een chemisch symbool. In dat geval voldoet het aan de eisen als gesteld in de richtlijn voor desbetreffende chemicaliën.





# TEAC

---

TEAC CORPORATION	1-47 Ochiai, Tama-shi, Tokyo 206-8530 Japan Phone: (042) 356-9156
TEAC AMERICA, INC.	7733 Telegraph Road, Montebello, California 90640 U.S.A. Phone: (323) 726-0303
TEAC CANADA LTD.	5939 Wallace Street, Mississauga, Ontario L4Z 1Z8, Canada Phone: (905) 890-8008
TEAC MEXICO, S.A. DE C.V.	Río Churubusco 364, Colonia Del Carmen, Delegación Coyoacán, CP 04100, México DF, México Phone: (5255)5010-6000
TEAC UK LTD.	Suites 19 & 20, Building 6, Croxley Green Business Park, Hatters Lane, Watford, Hertfordshire, WD18 8TE, U.K. Phone: (0845) 130-2511
TEAC EUROPE GMBH	Bahnstraße 12, D-65205 Wiesbaden-Erbenheim, Deutschland Phone: 0611-71580

---

This appliance has a serial number located on the rear panel. Please record the serial number and retain it for your records.

Model name: R-5

Serial number

0910·M-1658A